

# Instructions for wear checks of play equipment

The equipment must be checked for correct operation and safety, especially the points listed below:

Proof of maintenance

**Playground** .....

**Date of installation** .....

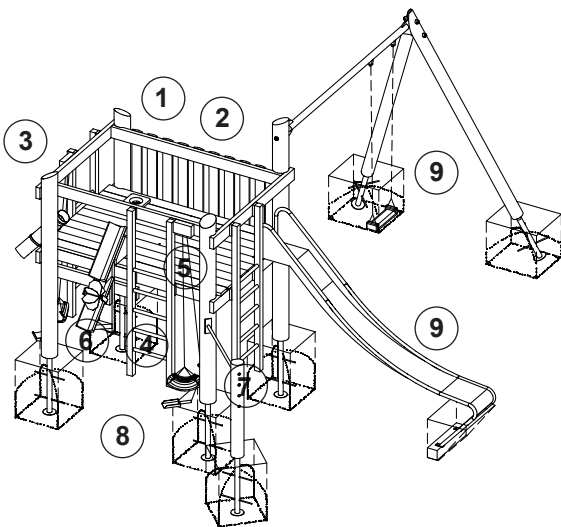
Checks depend on the type of equipment. Any equipment with moving parts must be checked at least twice a year, static equipment at least once a year.

Intervals for maintenance work and checks generally depend on

- location
- kind of use
- frequency of use
- possible vandalism

For more details see also "General instructions for maintenance of playgrounds".

**Building Site 0338**  
**Order No. L5.03380**



## Wooden parts

1. Check for rot and, if necessary, smooth out splinters and round off sharp edges of cracks.
2. Check that all bolts and screws are tight and retighten if necessary.
3. Recommendation: Apply paraffin wax to the upper end grain areas once a year, please refer to Order No. 0.90100, 1 litre.
4. Check the ash wood rungs of the ladders for wear and tear, the remaining diameter must be at least 30 mm.

## Bearings and chains

5. Check for wear and tear.
6. Check that sand wheel moves smoothly.

## Horizontal Bar

7. Check the connection of the Horizontal Bar, retighten the screws if necessary

## Structural stability

8. In order to check the steel feet for corrosion, uncover the foundations once a year.

9. **Please pay particular attention to the maintenance notes of the following attached equipment:**

Slide      Order no. 3.63020

Swing      Order no. 3.19852

and make sure that your documents are complete.

Special notes, e.g. for repairs

Repair not carried out, it is still possible to play on equipment

Repair not carried out, equipment is taken out of action

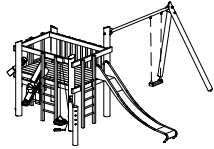
All work carried out, everything is in order

Maintenance carried out by:

For spare parts refer to back of page.

..... Date .....

**Spare Parts**  
**Building Site 0338**  
**Order No. L5.03380**



Please note that the safety standards of the equipment must not be affected. Therefore, when carrying out repairs it is helpful **to only use original parts.**

| Order No. Spare part                             | Order No. Spare part                           |
|--|--|
| 0.97000 Sand Hoist, complete                     | 99.00420 Block for Sand Chute                  |
| 0.97010 Protection Block with Turn Round Roll    | 99.00320 Upper Part for Sand Chute             |
| 0.97160 Protection Block without Turn Round Roll | 99.00330 Lower Part for Sand Chute             |
| 0.97020 Replacement Chain, complete              | 0.97130 Sand Wheel                             |
| 0.97030 Tyre Segment                             | 0.97082 Ladder, 5 rungs                        |
| 0.97032 Tyre Segment with Chains                 | 0.98300 Single rung                            |
| 0.97140 Tyre Segment without Chains              | 0.30100 Timber for Handrail for Short Side     |
| 0.97050 Shovel with Chain                        | 0.30110 Timber for Handrail for Long Side      |
| 0.97060 Lower Sand Pipe                          | 0.97105 Plate for Refurnishment of Stand Posts |
| 0.97100 Mounting Plate, top                      |  |
| 0.97110 Mounting Plate, bottom                   |  |
| 0.97090 Bent Sand Pipe                           |  |
| 0.97070 Sand Chute                               |  |