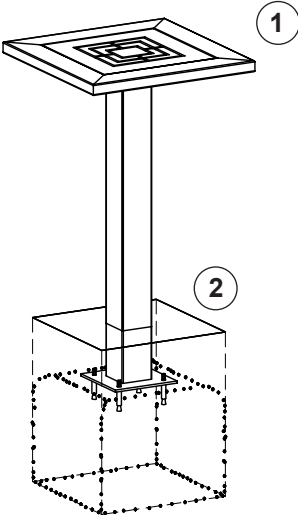


<h2>Instructions for wear checks of play equipment</h2>	<p>The equipment must be checked for correct operation and safety, especially the points listed below:</p>	<p>Proof of maintenance</p>		
<p><b>Playground</b>.....</p> <p><b>Date of installation</b> .....</p> <p>Checks depend on the type of equipment. Any equipment with moving parts must be checked at least twice a year, static equipment at least once a year.</p> <p>Intervals for maintenance work and checks generally depend on</p> <ul style="list-style-type: none"> <li>- the location</li> <li>- the usage</li> <li>- the frequency of use</li> <li>- possible vandalism</li> </ul> <p><b>For more details see also "General instructions for maintenance of playgrounds".</b></p> <p><b>Catch me if you can - Game</b> (with non-removable playing pieces) <b>Order No 9.11010</b></p> <p><b>Chess</b> (without playing pieces) <b>Order No. 9.12010</b></p> <p><b>Nine Men's Morris</b> (with non-removable playing pieces) <b>Order No. 9.14010</b></p> 	<div style="border: 1px solid black; padding: 5px; margin-bottom: 10px;"><b>Stainless steel</b></div> <p>1. Clean with stainless steel spray (www.kim-tec.de) using a clean cloth. <input type="checkbox"/></p> <div style="border: 1px solid black; padding: 5px; margin-bottom: 10px;"><b>Structural stability</b></div> <p>2. Check anchoring to the ground every 12 months. <input type="checkbox"/></p>	<p>Special notes, e.g. for repairs</p>		
	<p><b>Repair not carried out, it is still possible to play on equipment</b> <input type="checkbox"/></p>			
	<p><b>Repair not carried out, equipment is taken out of action</b> <input type="checkbox"/></p>			
	<p><b>All work carried out, everything is in order</b> <input type="checkbox"/></p>			
<p><b>Maintenance carried out by:</b></p> <p>..... <b>Date</b> .....</p>				