

Instructions for wear checks of play equipment

The equipment must be checked for correct operation and safety, especially the points listed below:

Proof of maintenance

Playground

Date of installation

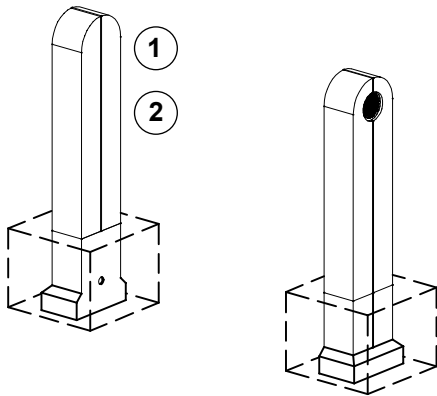
Checks depend on the kind of equipment. Any equipment with moving parts must be checked at least twice a year, static equipment at least once a year.

Intervals for maintenance work and checks generally depend on:

- location
- kind of use
- frequency of use
- possible vandalism

For more details see also „General instructions for maintenance of playgrounds“.

Phones made of concrete
Order No. 9.02710



Concrete

1. Check the concrete for damage due to vandalism (chipped edges). Blunt sharp edges of the concrete with an angle grinder and/or repair with fast setting cement or epoxy resin.

Structural stability

2. Check fixation to the ground once a year by lifting.

Special notes (e. g. for repairs):

Repair not carried out, it is still possible to play on equipment

Repair not carried out, equipment ist taken out of action

All work carried out, everything is in order

Maintenance carried out by

..... Date