

Instructions for wear checks of play equipment

The equipment must be checked for correct operation and safety, especially the points listed below:

Proof of maintenance

Playground

Date of installation

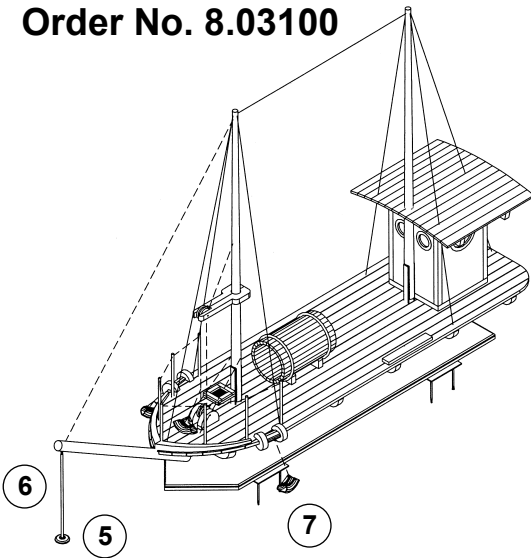
Checks depend on the type of equipment. Any equipment with moving parts must be checked at least twice a year, static equipment at least once a year.

Intervals for maintenance work and checks generally depend on

- location
- kind of use
- frequency of use
- possible vandalism

For more details see also "General instructions for maintenance of playgrounds".

Cutter
Order No. 8.03100



Wooden parts

1. Check for rot and, if necessary, smooth out splinters and round off sharp edges of cracks.
2. Check all bolts and screws are tight and retighten if necessary.

Metal parts and fittings

3. File down any sharp edges that may arise from wear and tear.
4. Make sure that the swivels move smoothly, check for wear and tear, apply small amount of grease if required.

Pendulum seat/hose sleeve

5. Replace pendulum seat if metal parts are exposed.
6. Check hose sleeve fixation, replace sleeve hose, if damaged.

Sand hoist

7. Replace tyre, if damaged.

Carpenter's sawhorses/structural stability

8. Check for wear and tear.

Special notes, e.g. for repairs

Repair not carried out, it is still possible to play on equipment

Repair not carried out, equipment is taken out of action

All work carried out, everything is in order

Maintenance carried out by:

..... Date