

Instructions for wear checks of play equipment

The equipment must be checked for correct operation and safety, especially the points listed below:

Proof of maintenance

Playground.....

Date of installation

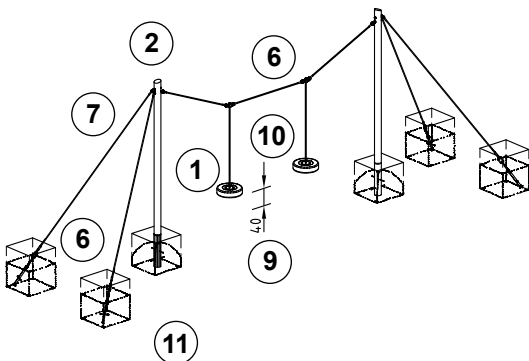
Checks depend on the type of equipment. Any equipment with moving parts must be checked at least twice a year, static equipment at least once a year.

Intervals for maintenance work and checks generally depend on

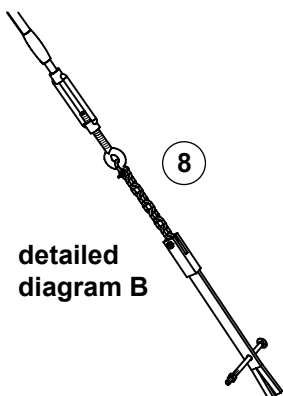
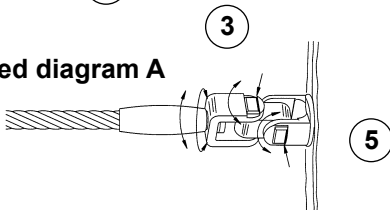
- location
- usage
- frequency of use
- possible vandalism

For more details see also "General instructions for maintenance of playgrounds".

Partner Pendulum
Order No. R7.67000
L7.67000/7.67001



detailed diagram A



Wooden parts

1. Check for rot and, if necessary, smooth out splinters and round off sharp edges & cracks.
2. Recommendation: Apply paraffin wax to the end grain areas once a year, especially near the ground; refer to order No. 0.90100, 1 litre.

Joints

3. Check that joints can move smoothly in both directions (see detailed diagram A).
4. Make sure that the swivels move smoothly, apply small amount of grease if required.
5. Check connection to wood; the tie joint must fit closely (see detailed diagram A).

Ropes

6. Check for wear and tear. Replace if steel reinforcement is damaged.
7. Check that the upper connections of the tensioning ropes are tight.
8. The tensioning ropes must be taut, retension if necessary (see detailed diagram B). Shorten the chain if necessary.

Suspension of pendulum tyres

9. Check tyres for wear and tear, replace if the steel reinforcement becomes visible.
10. Check that the connection of the tyre platform to the steel disc as well as the upper connection of the pendulum pole are tight and retighten if necessary.

Structural stability

11. Uncover the foundation once a year in order to check for rot or the steel feet for corrosion.

Special notes, e.g. for repairs

Repair not carried out, it is still possible to play on equipment

Repair not carried out, equipment is taken out of action

All work carried out, everything is in order

Maintenance carried out by:

..... Date

For spare parts refer to page 2.

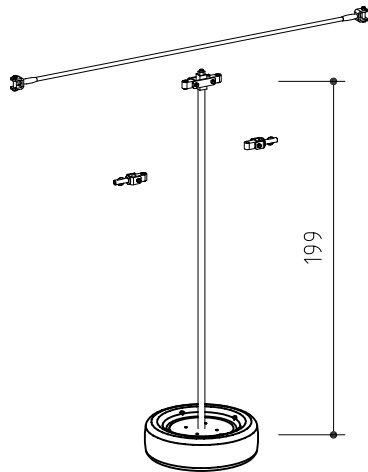
Partner Pendulum
Order No. R7.67000
L7.67000/7.67001

Please note that the safety standards of the equipment must not be affected. Therefore, when carrying out repairs it is helpful to **only use original parts.**

Order No. Spare part

Order No. Spare part

0.89000 **1 set of fittings**
version from 02/2000



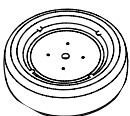
0.20012 **stainless steel machine screw,**
reinforced



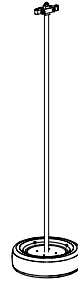
0.88193 **square block steel, reinforced**
version from 02/2002



99.01190 **tyre with wooden floor**



99.01100 **pendulum pole with tyre**
version from 01/2000



Note

This list includes only the spare parts ordered most frequently. Other spare parts on request.