

Instructions for wear checks of play equipment

The equipment must be checked for correct operation and safety, especially the points listed below:

Proof of maintenance

Playground

Date of installation

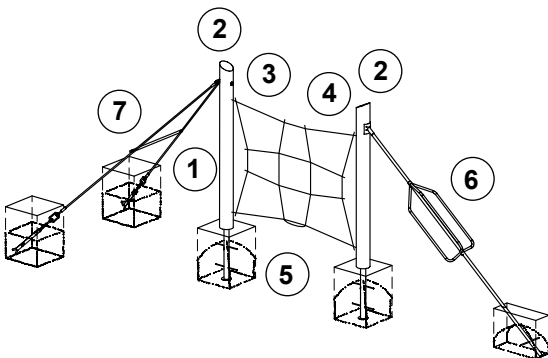
Checks depend on the type of equipment. Any equipment with moving parts must be checked at least twice a year, static equipment at least once a year.

Intervals for maintenance work and checks generally depend on

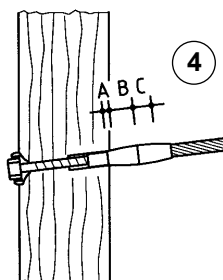
- location
- kind of use
- frequency of use
- possible vandalism

For more details see also "General instructions for maintenance of playgrounds".

Combination off Vertical Climbing Net, Whisk and Rope Bar
Order No. L6.46000



detailed diagram



Wooden parts

1. Check for rot and, if necessary, smooth out splinters and round off sharp edges of cracks.
2. **Recommendation:** apply paraffin wax to the upper end grain areas once a year, please refer to Order No. 0.90100, 1 litre.

Climbing net

3. Check for wear and tear. Replace if steel reinforcement is damaged.

Climbing net connections

4. Check stability, if necessary re-tension (see detailed measurement B)

Structural stability

5. In order to check for rot at wooden parts or steel feet for corrosion, uncover the foundation once a year.

Please pay attention to the **separate maintenance notes** of the following combination equipment:

6. Order No. 6.27600 Whisk
7. Order No. 6.45100 Rope Bar

Note
Please check that all documents are included!

Special notes, e.g. for repairs

Repair not carried out, it is still possible to play on equipment

Repair not carried out, equipment is taken out of action

All work carried out, everything is in order

Maintenance carried out by:

..... Date