

Instructions for wear checks of play equipment

The equipment must be checked for correct operation and safety, especially the points listed below:

Proof of maintenance

Playground.....

Date of installation

Checks depend on the type of equipment. Any equipment with moving parts must be checked at least twice a year, static equipment at least once a year.

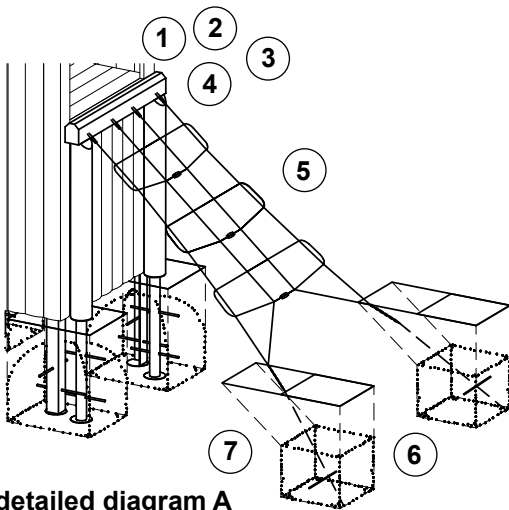
Intervals for maintenance work and checks generally depend on

- location
- usage
- frequency of use
- possible vandalism

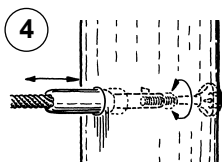
For more details see also "General instructions for maintenance of playgrounds".

Inclined Climbing Net
for towers

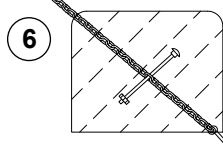
Order No. L3.69103/L3.69105



detailed diagram A



detailed diagram B



Wooden parts

1. Check for rot and, if necessary, smooth out splinters and round off sharp edges of cracks.
2. Check that all bolts and screws are tight and retighten if necessary.
3. **Recommendation:** apply paraffin wax to the upper end grain areas once a year, please refer to order No. 0.90100, 1 litre.

Climbing net

4. Check that connection points are tight and retighten if necessary (**see detailed diagram A**).
5. Check for wear and tear. Replace if steel reinforcement is damaged.
6. If necessary re-tension the net at the bottom ends (**see detailed diagram B**).

Structural stability

7. In order to check for rot at wooden parts or steel feet for corrosion, uncover the foundations once a year.

Special notes, e.g. for repairs

Repair not carried out, it is still possible to play on equipment

Repair not carried out, equipment is taken out of action

All work carried out, everything is in order

Maintenance carried out by:

..... Date