

# Instructions for wear checks of play equipment

The equipment must be checked for correct operation and safety, especially the points listed below:

Proof of maintenance

Playground .....

Date of installation .....

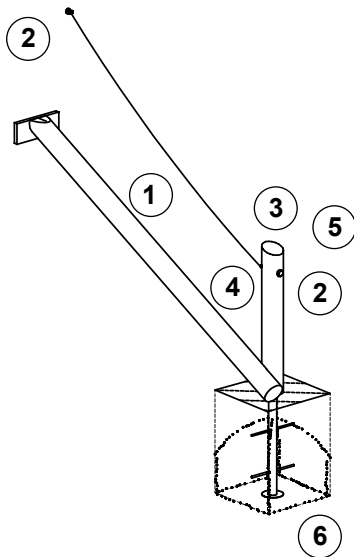
Checks depend on the type of equipment. Any equipment with moving parts must be checked at least twice a year, static equipment at least once a year.

Intervals for maintenance work and checks generally depend on

- location
- kind of use
- frequency of use
- possible vandalism

For more details see also "General instructions for maintenance of playgrounds".

**Inclined Balancing Beam**  
for attachment  
**Order No. 3.68301**



## Wooden parts

1. Check for rot and, if necessary, smooth out splinters and round off sharp edges of cracks.
2. Check that bolts and screws on main equipment (e.g. tower) and stand posts are tight and retighten if necessary.
3. **Recommendation:** Apply paraffin wax to the upper end grain areas once a year, please refer to Order No. 0.90100, 1 litre.

## Fixation of handrails

4. Check connection of handrail chains to wood and retighten screws and bolts if necessary.
  5. Check handrail chains and fixations of handrails.
- Note**  
1. The first chain link of a chain must be locked; check wear on contact surfaces between first and second chain link.

## Structural stability

6. In order to check for rot at wooden parts or steel foot for corrosion uncover the foundation once a year.

Special notes, e.g. for repairs

Repair not carried out, it is still possible to play on equipment

Repair not carried out, equipment is taken out of action

All work carried out, everything is in order

Maintenance carried out by:

..... Date .....