

Instructions for wear checks of play equipment

The equipment must be checked for correct operation and safety, especially the points listed below:

Proof of maintenance

Playground

Date of installation

Checks depend on the type of equipment. Any equipment with moving parts must be checked at least twice a year, static equipment at least once a year.

Intervals for maintenance work and checks generally depend on

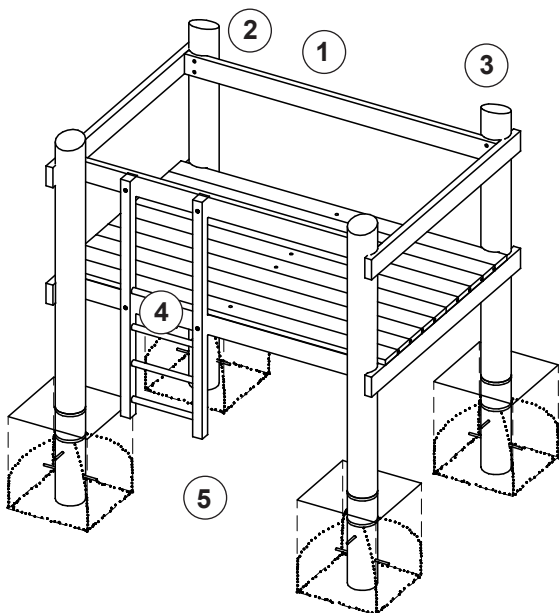
- location
- kind of use
- frequency of use
- possible vandalism

For more details see also "General instructions for maintenance of playgrounds".

Platforms

Order No. 3.26100ff.

Installed height 1.00 m/1.50 m/2.00 m



Wooden parts

1. Check for rot and, if necessary, smooth out splinters and round off sharp edges of cracks.
2. Check that all bolts and screws are tight and retighten if necessary.
3. **Recommendation:** apply paraffin wax to the upper end grain areas once a year, please refer to Order No. 0.90100, 1 litre.
4. Check the ash wood rungs of the ladder(s) for wear and tear, the remaining diameter must be at least 30 mm.

Structural stability

5. In order to check for rot at wooden parts and steel feet for corrosion, uncover the foundations once a year.

Special notes, e.g. for repairs

Repair not carried out, it is still possible to play on equipment

Repair not carried out, equipment is taken out of action

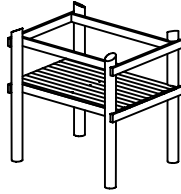
All work carried out, everything is in order

Maintenance carried out by:

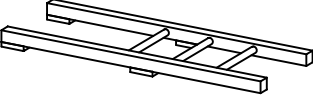
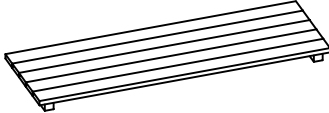
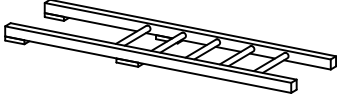

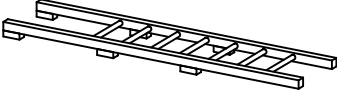
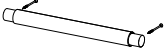
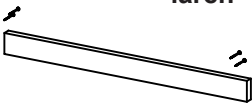
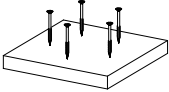
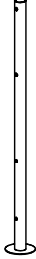
For spare parts refer to back of page.

..... Date

**Spare Parts
Platforms
Order No. 3.26100ff.**



Please note that the safety standards of the equipment must not be affected. Therefore, when carrying out repairs it is helpful to **only use original parts.**

Order No. Spare part	Order No. Spare part
<p>0.97085 ladder for platform 1.00 m</p> 	<p>99.00460 floor length 2.48 m, width 0.80 m larch</p> 
<p>0.97082 ladder for platform 1.50 m</p> 	<p>99.00900 floor panel, length 2.48 m larch</p> 
<p>0.97182 ladder for platform 2.00 m</p> 	<p>99.01295 stand post larch for platform 2.00 m, with cut-outs, prepared for large U-profile</p>
<p>0.98300 single rung</p> 	<p>99.01262 stand post spruce for platform 2.00 m, with cut-outs</p>
<p>0.30100 timber for handrail, length 2.00 m larch</p>	<p>99.01367 stand post larch for platform 2.00 m, with cut-outs, with steel foot</p>
<p>0.30110 timber for handrail, length 2.50 m larch</p> 	<p>w/o illustr.</p>
<p>0.97105 plate for refurbishment of stand posts</p> 	<p>0.99005 steel foot, round, galvanised, Ø 60 mm, length 1.40 m, for platform 1.00 m/1.50 m</p> 
	<p>0.99085 steel foot, round, galvanised, Ø 76 mm, length 1.40 m, for platform 2.00 m</p> 