

Instructions for wear checks of play equipment

The equipment must be checked for correct operation and safety, especially the points listed below:

Proof of maintenance

Playground.....

Date of installation

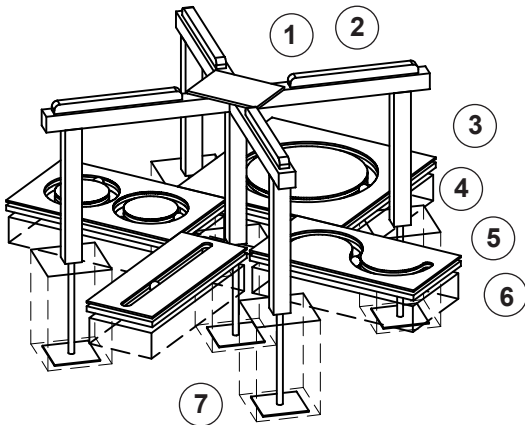
Checks depend on the type of equipment. Any equipment with moving parts must be checked at least twice a year, static equipment at least once a year.

Intervals for maintenance work and checks generally depend on:

- the location
- the usage
- the frequency of use
- possible vandalism

For more details see also "General instructions for maintenance of playgrounds".

Ball Game
Order No. 11.50200



Wooden parts

1. Check for rot and, if necessary, smooth out splinters and round off sharp edges of cracks.
2. Check that all bolts and screws are tight and re-tighten if necessary.

Polyethylene panel

3. Check for external damage and sharp edges, file down if necessary in order to prevent injuries.
4. Check that screws/bolts between boards are tight. Boards must not be loose.
5. Check that balls move smoothly. If necessary, smoothen tracks and clean.
6. Check brushes for wear and tear, replace if necessary.

Structural stability

7. Uncover the foundations once a year in order to check for corrosion.

Special notes, e.g. for repairs

Repair not carried out, it is still possible to play on equipment

Repair not carried out, equipment is taken out of action

All work carried out, everything is in order

Maintenance carried out by:

..... Date