

# Instructions for wear checks of play equipment

The equipment must be checked for correct operation and safety, especially the points listed below:

Proof of maintenance

Location .....

Date of installation .....

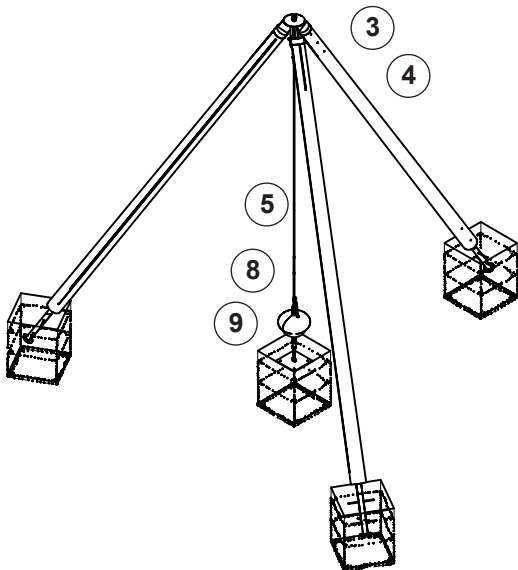
Checks depend on the type of equipment. Any equipment with moving parts must be checked at least twice a year, static equipment at least once a year.

Intervals for maintenance work and checks generally depend on

- location
- kind of use
- frequency of use
- possible vandalism

For more details see also "General instructions for maintenance of playgrounds".

## Stone Pendulum Order No. 10.96000



### Wooden parts

1. Check for rot and, if necessary, smooth out splinters and round off sharp edges of cracks.
2. Check all bolts and screws are tight and retighten if necessary.

### Pendulum suspension

3. Check that suspension moves smoothly.
4. Check all load bearing parts as well as all screws and bolts for wear and tear and replace if necessary.

### Carrying cable

5. Check steel cable for damage (broken strands, screw-like deformation, corrosion, abrasion, formation of loops) (use magnifying glass) and replace if necessary.

### Chains

6. Check that safety chains on the upper suspension and on the stone are connected properly and check for wear and tear.
7. Check fastening chain connected to the ground for damage.

### Stone

8. Check stone for crack formation. Also check condition of sealing on upper side of stone (on the fork bearing) and permanently seal any grooves or cracks.
9. Check the stone for a minimum ground clearance of at least 40 cm.













Special notes, e.g. for repairs

Repair not carried out, it is still possible to play on equipment

Repair not carried out, equipment is taken out of action

All work carried out, everything is in order

Maintenance carried out by:

..... Date .....

En-EN 03.09.2014

Design W. Graubner · COPYRIGHT © RICHTER SPIELGERÄTE GMBH

# Instructions for wear checks of play equipment

The equipment must be checked for correct operation and safety, especially the points listed below:

Proof of maintenance

Location .....

Date of installation .....

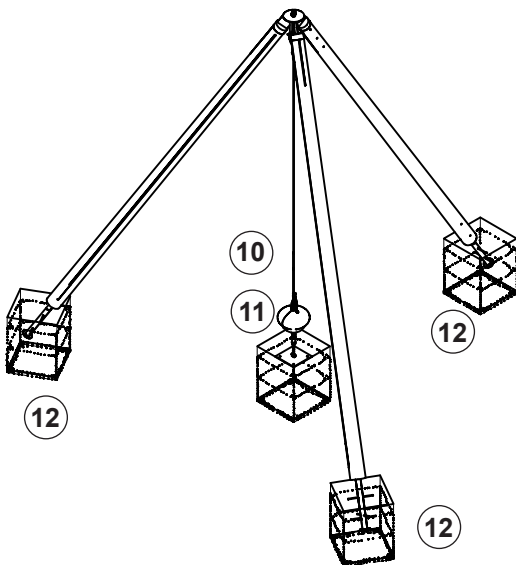
Checks depend on the type of equipment. Any equipment with moving parts must be checked at least twice a year, static equipment at least once a year.

Intervals for maintenance work and checks generally depend on

- location
- kind of use
- frequency of use
- possible vandalism

For more details see also "General instructions for maintenance of playgrounds".

## Stone Pendulum Order No. 10.96000



### Stone

10. Carry out load test by deflecting the pendulum to the maximum angle. Check all fittings as well as the anchoring to the ground.
11. Carry out load test by turning the stone. Check swivel on lower side of the stone for proper operation (chain must not get locked when turned).

### Structural stability

12. In order to check the stability of the foundation or steel feet for corrosion, uncover the foundations once a year.

Special notes, e.g. for repairs

Repair not carried out, it is still possible to play on equipment

Repair not carried out, equipment is taken out of action

All work carried out, everything is in order

Maintenance carried out by:

..... Date .....