

Instructions for wear checks of play equipment

The equipment must be checked for correct operation and safety, especially the points listed below:

Proof of maintenance

Playground.....

Date of installation

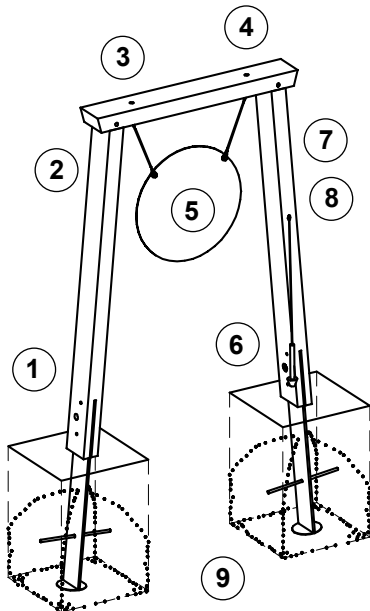
Checks depend on the type of equipment. Any equipment with moving parts must be checked at least twice a year, static equipment at least once a year.

Intervals for maintenance work and checks generally depend on

- the location
- the usage
- the frequency of use
- possible vandalism

For more details see also "General instructions for maintenance of playgrounds".

Gong
Order No. 10.52160/10.52180



Wooden parts

1. Check for rot and, if necessary, smooth out splinters and round off sharp edges of cracks.
2. Check all bolts and screws are tight and retighten if necessary.
3. Recommendation: apply wood preservative wax (www.complex-farben.eu) once a year.

Gong

4. Check that the gong is properly connected.
5. Clean with water and soap using a sponge.

Beater

6. Check for wear and tear, replace if necessary.
7. Check that the beater is properly connected.
8. If necessary, disentangle suspension cable; if the beater is missing (vandalism) install a replacement beater.

Structural stability

9. In order to check that the equipment is securely fastened to the ground, uncover the foundations once a year.

Special notes, e.g. for repairs

Repair not carried out, it is still possible to play on equipment

Repair not carried out, equipment is taken out of action

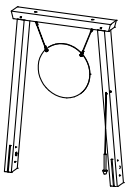
All work carried out, everything is in order

Maintenance carried out by:

For spare parts refer to back of page.

..... Date

Spare Parts
Gong
Order No. 10.52160/10.52180



Please note that the safety standards of the equipment must not be affected. Therefore, when carrying out repairs it is helpful to **only use original parts.**

Order No. Spare part

10.99906 beater, complete

