

# Instructions for wear checks of play equipment

The equipment must be checked for correct operation and safety, especially the points listed below:

Proof of maintenance

Playground.....

Date of installation .....

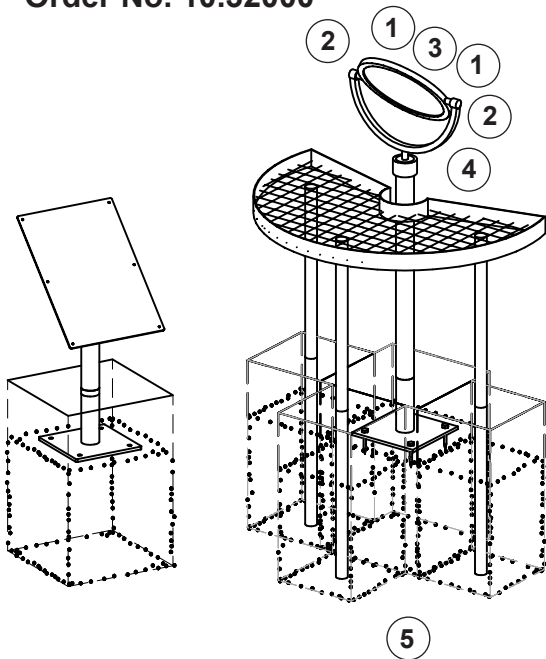
Checks depend on the type of equipment. Any equipment with moving parts must be checked at least twice a year, static equipment at least once a year.

Intervals for maintenance work and checks generally depend on

- the location
- the usage
- the frequency of use
- possible vandalism

For more details see also "General instructions for maintenance of playgrounds".

**Magnifying Lens**  
Order No. 10.32000



## Magnifying lens

1. Ensure that the lens moves smoothly.
2. Check that the lens sits firmly in the fixture.

## Acrylic glass/Makrolon

3. Clean with commercially available dishwashing liquid or, better still, plastic cleaner (www.burnus.de); under no circumstances use spirits or turpentine!

## Stainless steel

4. Clean with stainless steel spray (www.kim-tec.de) using a clean cloth.

## Structural stability

5. Check anchoring to the ground every 12 months.

Special notes, e.g. for repairs

Repair not carried out, it is still possible to play on equipment

Repair not carried out, equipment is taken out of action

All work carried out, everything is in order

Maintenance carried out by:

..... Date .....