

Instructions for wear checks of play equipment

The equipment must be checked for correct operation and safety, especially the points listed below:

Proof of maintenance

Playground.....

Date of installation

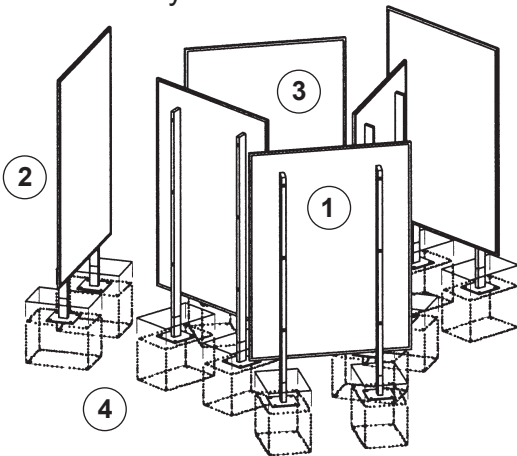
Checks depend on the type of equipment. Any equipment with moving parts must be checked at least twice a year, static equipment at least once a year.

Intervals for maintenance work and checks generally depend on

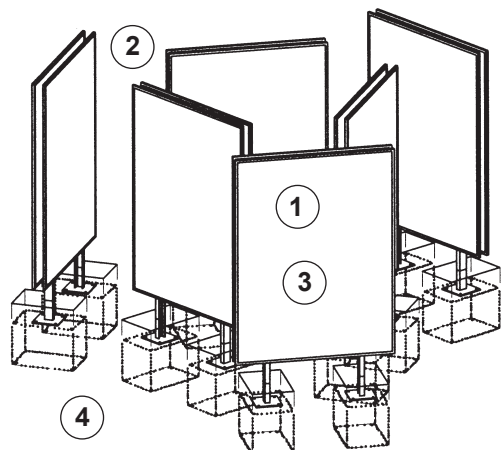
- the location
- the usage
- the frequency of use
- possible vandalism

For more details see also "General instructions for maintenance of playgrounds".

Walk-in Kaleidoscope
Order No. 10.23410
 mirrors only inside



Walk-in Kaleidoscope
Order No. 10.23420
 mirrors inside and outside



Screws/bolts

1. Check that all bolts and screws are tight and retighten if necessary.

Stainless steel

2. Clean with stainless steel spray using a clean cloth.

Mirrors

3. Clean with standard glass cleaner using a lint-free cloth. Polish any clouding on the surface of the mirror using a fine metal polish.

Structural stability

4. Check anchoring to the ground once a year

Special notes, e.g. for repairs

Repair not carried out, it is still possible to play on equipment

Repair not carried out, equipment is taken out of action

All work carried out, everything is in order

Maintenance carried out by:

..... Date