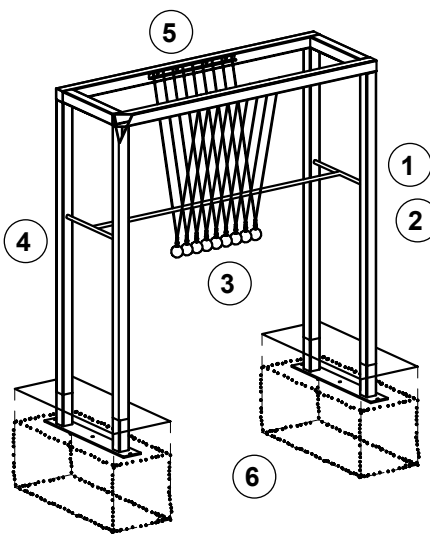
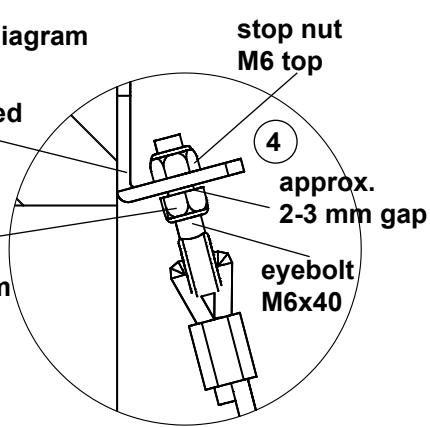


<h1>Instructions for wear checks of play equipment</h1>	<p>The equipment must be checked for correct operation and safety, especially the points listed below:</p>	<p>Proof of maintenance</p>
<p><b>Playground</b>.....</p> <p><b>Date of installation</b> .....</p> <p>Checks depend on the type of equipment. Any equipment with moving parts must be checked at least twice a year, static equipment at least once a year.</p> <p>Intervals for maintenance work and checks generally depend on</p> <ul style="list-style-type: none"> <li>- location</li> <li>- usage</li> <li>- frequency of use</li> <li>- possible vandalism</li> </ul> <p><b>For more details see also our general instructions for maintenance of playgrounds!</b></p> <p><b>Impulse Spheres</b> Order No. 10.11010</p>  <p><b>detailed diagram</b></p> 	<div style="border: 1px solid black; padding: 2px; margin-bottom: 10px;"><b>Stainless steel</b></div> <ol style="list-style-type: none"> <li>1. Clean with stainless steel spray (www.kim-tec.de) using a clean cloth. <input type="checkbox"/></li> <li>2. Check that all bolts and screws are tight and retighten if necessary. <input type="checkbox"/></li> </ol> <div style="border: 1px solid black; padding: 2px; margin-bottom: 10px;"><b>Sphere suspension</b></div> <ol style="list-style-type: none"> <li>3. Clean with stainless steel spray (www.kim-tec.de) using a clean cloth. <input type="checkbox"/></li> <li>4. Check that the spheres form an exact line, re-adjust if necessary (see detailed diagram). <input type="checkbox"/></li> </ol> <p><b>Note</b> The nuts at the bottom of the angled rails must not be tightened to the end of their threads (approx. 2-3 mm gap, see detailed diagram).</p> <ol style="list-style-type: none"> <li>5. Replace spheres if necessary. <input type="checkbox"/></li> </ol> <div style="border: 1px solid black; padding: 2px; margin-bottom: 10px;"><b>Structural stability</b></div> <ol style="list-style-type: none"> <li>6. In order to check for corrosion, uncover the foundations once a year. <input type="checkbox"/></li> </ol>	<div style="text-align: center; font-size: 2em;"> <input type="checkbox"/>  <input type="checkbox"/>  <input type="checkbox"/>  <input type="checkbox"/>  <input type="checkbox"/>  <input type="checkbox"/> </div> <p style="text-align: center; font-size: 0.8em;">Special notes, e.g. for repairs</p>
	<p><b>Repair not carried out, it is still possible to play on equipment</b></p>	<div style="text-align: center;"> <input type="checkbox"/> </div>
	<p><b>Repair not carried out, equipment is taken out of action</b></p>	<div style="text-align: center;"> <input type="checkbox"/> </div>
	<p><b>All work carried out, everything is in order</b></p>	<div style="text-align: center;"> <input type="checkbox"/> </div>
<p><b>For spare parts refer to next page.</b></p>	<p><b>Maintenance carried out by:</b></p> <p>..... <b>Date</b> .....</p>	

En-EN 01.07.2024

COPYRIGHT © RICHTER SPIELGERÄTE GMBH

**Spare parts**  
**Impulse Spheres**  
**Order No. 10.11010**



Please note that the safety standards of the equipment must not be affected. Therefore, when carrying out repairs it is helpful to **only use original parts**.

**Order No. Spare parts**

**10.99903 Sphere with cable**



**10.99904 Sphere suspension gear with 9 spheres**

