

**Play value**

This friendly swing equipment is especially fun for two. Children can swing each other and talk in relaxed pose, almost like in a hammock. More energetic swinging is also possible however, and the unusual lying posture when swinging, increases the pleasure. Thanks to additional transverse webs made from rope, the Double Hammock Seat is also suitable for use in nursery schools. The Quadro Hammock Seat is an amusing alternative offering the possibility of additional play opportunities.



Order No. L6.43000 / L6.43100 Double Hammock Seat



Order No. L6.43000 / L6.43100 Double Hammock Seat



Order No. L6.43000 / L6.43100 Double Hammock Seat

**Fundamental characteristics**

- Unique and original
- By the special geometry, furious swinging is not possible
- Incentive for playing: relaxed position
- Movement: swaying, swinging

**Recommended for**

- Kindergarten children
- School children
- Supervised play areas, such as kindergartens, schools, after-school programmes or similar
- Public play areas without supervision, such as playgrounds, parks or similar

**Double Hammock Seat  
Quadro Hammock Seat**

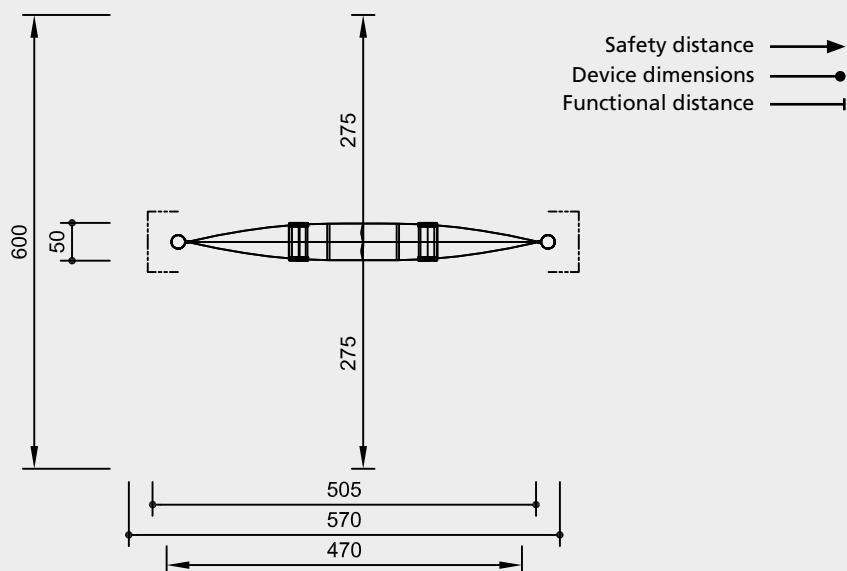


L6.43000 / L6.43100

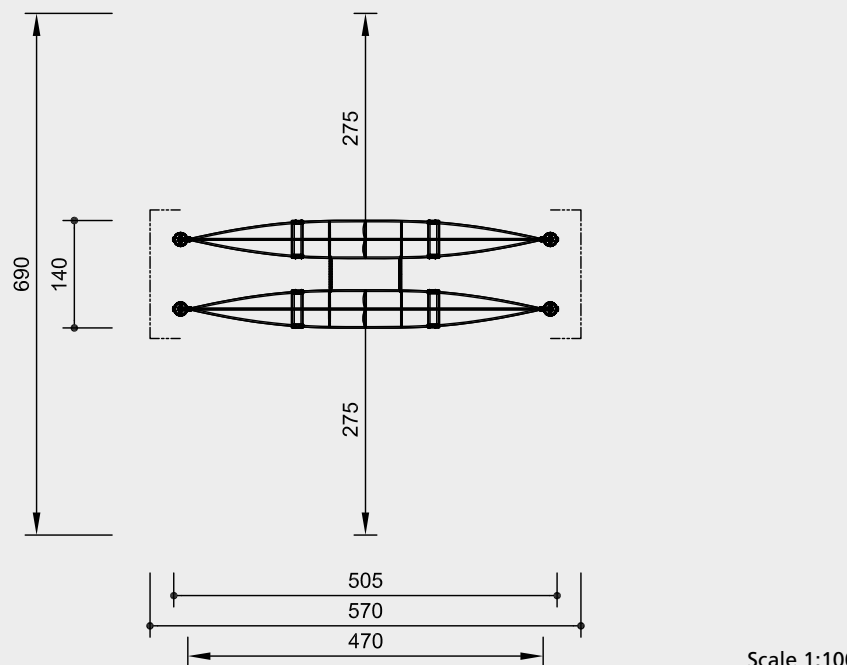


L6.43500 / L6.43600

**Order No. L6.43000 / L6.43100 Double Hammock Seat**



**Order No. L6.43500 / L6.43600 Quadro Hammock Seat**



Scale 1:100

Safety check according to DIN EN 1176

**Components**

**Order No. L6.43000 / L6.43100 Double Hammock Seat**

- 2 Support posts with steel feet
- 1 Rope structure with 2 integrated swing seats  
 (Order No. L6.43100 with smaller mesh size, suited for smaller children)

**Order No. L6.43500 / L6.43600 Quadro Hammock Seat**

- 4 Support posts with steel feet
- 2 Connected rope structures with each two integrated swing seats  
 (Order No. L6.43600 with smaller mesh size, suited for smaller children)

**Installation information**

Surfacing requirements corresponding to a fall height of ≤ 1.00 m (please refer to price list for more detailed information)

**Foundations**

**Order No. L6.43000 / L6.43100 Double Hammock Seat**

2 items 80 x 80 x 60 cm  
 Excavation depth 80 cm

**Order No. L6.43500 / L6.43600 Quadro Hammock Seat**

2 items 80 x 170 x 60 cm  
 Excavation depth 80 cm

**Attention:**  
**Exact measurements may vary, for all installation dimensions refer to current installation instructions.**  
 Technical changes reserved.

**Technical information**

Equipment made of mountain larch

**Peeled white**

Palisades peeled white means that bark, cambium and sapwood are removed, the natural shape of the trunk is preserved and can be experienced



**Bevel cut**

Vertical stand posts with bevelled end grain section as constructive wood preservation measure



**Swing seat**

Ergonomically shaped swing seat made of rubber with soft shock absorbing edge. Durable due to strong profiled steel insert



**Richter Hercules type rope**

Richter Hercules type rope, a combination of galvanised six-strand steel cables and polyester yarn, diameter > 20 mm, laid and glued with very good abrasion resistance, strong sheathing even in the case of damage by puncturing



**Aluminium rope pressing**

Aluminium rope pressing, cylindrically pressed, with rounded ends



**S-connectors**

S-connectors Ø 8.1 mm, made of high-quality stainless steel, rounded



**Universal joint**

Drop-forged, hot-dip galvanised universal joint, consists of two sintered bushes, for free swinging in any direction



**Adjustable**

Adjustable two-piece bolt connection, easy to maintain, no projecting threads



**Sintered bush**

For all reciprocating movements we use sintered plain bearings which are self-lubricating in use and can easily be exchanged if necessary



**Ground anchor**

All parts used for anchoring to the ground are made of hot-dip galvanised steel or stainless steel



**Stainless Chains**

Chains made of steel with high corrosion resistance. Short-linked, without eyelets on the connecting parts, easily replaceable and simple shortening



**For more detailed explanation of the quality characteristics see price list.**

**Dimensions**

(small deviations possible)

**Order No. L6.43000 / L6.43100 Double Hammock Seat**

|        |        |
|--------|--------|
| Height | 2.35 m |
| Length | 5.05 m |
| Width  | 0.50 m |
| Weight | 145 kg |

**Order No. L6.43500 / L6.43600 Quadro Hammock Seat**

|        |        |
|--------|--------|
| Height | 2.35 m |
| Length | 5.05 m |
| Width  | 1.40 m |
| Weight | 300 kg |



L6.43000 / L6.43100



L6.43500 / L6.43600