



Photo © Concetto Studios



Photo © Tristan Filippone

**Play value**

Because of its individual shape, the Pyramid Tower catches the eye and is therefore suited as a playground signal and lends the site an unmistakable character. The metal tip shines in the sunlight and the cladding is transparent, letting light pass through, despite its sturdiness. A colour design provides an interesting accentuation. If the towers are grouped, it is possible to create a spectacular slide system with connecting tunnels which will undoubtedly form a big attraction in leisure areas.



Photo © Concetto Studios

**Fundamental characteristics**

- Unique and original
- High-quality design
- High aesthetic value
- Incentive for playing: experiencing height, curiosity
- Movement: climbing

**Recommended for**

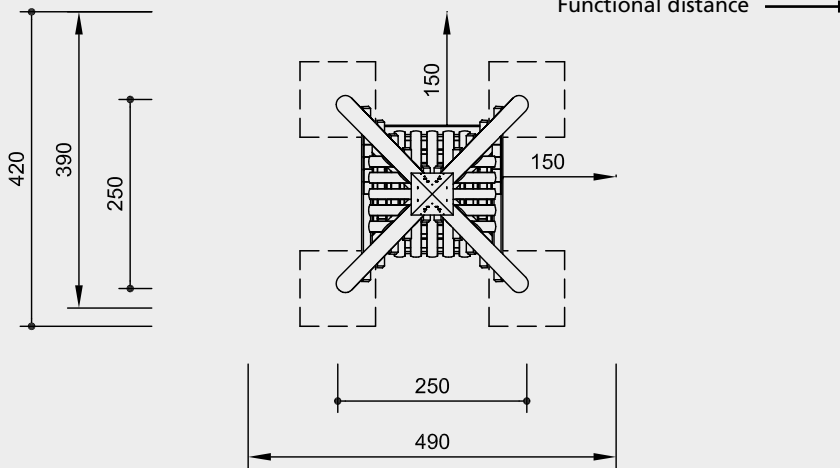
- School children
- Young people
- Supervised play areas, such as kindergartens, schools, after-school programmes or similar
- Public play areas without supervision, such as playgrounds, parks, leisure areas or similar

**Small Pyramid Tower  
Middle Pyramid Tower  
Midsize Pyramid Tower  
Big Pyramid Tower**

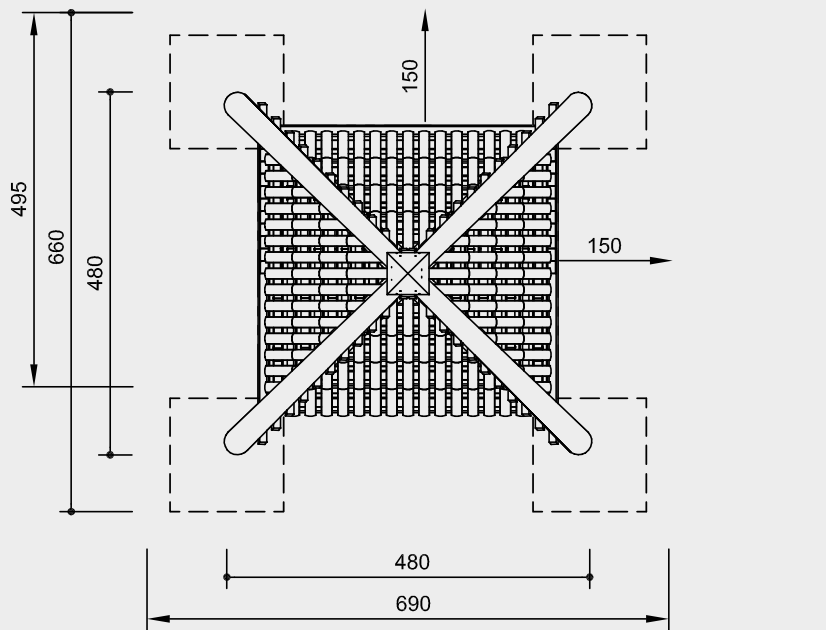


**L3.41000 - L3.43000**

**Order No. L3.41000**  
**Small Pyramid Tower**



**Order No. L3.43000**  
**Big Pyramid Tower**



Scale 1:100

Safety check according to DIN EN 1176

**Components**

**Order No. L3.41000**  
**Small Pyramid Tower**

- 4 Posts with steel feet
- 3 Floors, one-piece construction
- 4 Panels
- 1 Ladder
- 1 Tip

**Order No. L3.42000**  
**Middle Pyramid Tower**

- 4 Posts with steel feet
- 5 Floors, one-piece construction
- 8 Panels
- 1 Ladder
- 1 Tip

**Order No. L3.42500**  
**Midsized Pyramid Tower**

- 4 Posts with steel feet
- 7 Floors, one-piece construction
- 12 Panels
- 2 Ladders
- 1 Tip

**Order No. L3.43000**  
**Big Pyramid Tower**

- 4 Posts with steel feet
- 8 Floors, one-piece construction
- 1 Floor, two-piece construction with post
- 16 Panels
- 2 Ladders
- 1 Tip

**Technical information**

Equipment made of non-impregnated mountain larch

**Peeled white**

Palisades peeled white means that bark, cambium and sapwood are removed, the natural shape of the trunk is preserved and can be experienced



**Core-free**

Sawn-timbers core-free, thus decreasing occurrences of cracking and undesired changes in shape



**Claddings**

Claddings made of mountain larch (4 - 5 cm). Peeled white by hand, natural tree surface remains tangible and perceptible



**Tongue and groove**

Tongue and groove planks made of 4 cm solid wood, highly resilient, no trickling of dust / sand, protection against direct rain



**Hardwood rungs**

Climbing rungs made of hardwood (ash) Ø 4.2 cm, milled and mortised, secured against twisting, easy to grip and not cold for children to touch



**Interlocking**

Interlocking connection, with milled metal rings or serrated disc dowels, to reinforce the bolt connection under high loads transverse to the grain direction of the wood



**Ground anchor**

All parts used for anchoring to the ground are made of hot-dip galvanised steel or stainless steel



**For more detailed explanation of the quality characteristics see price list.**

Tip made of stainless steel, glass bead blasted

**Dimensions**

(small deviations possible)

**Order No. L3.41000**  
**Small Pyramid Tower**

- Height 7.00 m
- Floor heights 1.00 - 3.00 m
- Ground surface 2.50 x 2.50 m
- Support posts diameter 22 - 24 cm
- Weight approx. 1500 kg

**Order No. L3.42000**  
**Middle Pyramid Tower**

- Height 9.00 m
- Floor heights 1.00 - 5.00 m
- Ground surface 3.30 x 3.30 m
- Support posts diameter 25 - 29 cm
- Weight approx. 3000 kg

**Order No. L3.42500**  
**Midsized Pyramid Tower**

- Height 11.00 m
- Floor heights 1.00 - 7.00 m
- Ground surface 4.00 x 4.00 m
- Support posts diameter 25 - 29 cm
- Weight approx. 4000 kg

**Order No. L3.43000**  
**Big Pyramid Tower**

- Height 13.00 m
- Floor heights 1.00 - 9.00 m
- Ground surface 4.80 x 4.80 m
- Support posts diameter 26 - 35 cm
- Weight approx. 6000 kg



L3.41000 - L3.43000



**Small Pyramid Tower**  
**Middle Pyramid Tower**  
**Midsize Pyramid Tower**  
**Big Pyramid Tower**



L3.41000 - L3.43000





Photo © Tristan Filippone

**Installation information**

Surfacing requirements corresponding to a fall height of  $\leq 1.00$  m (please refer to price list for more detailed information)

Foundations  
**Order No. L3.41000**  
**Small Pyramid Tower**

4 items 100 x 100 x 100 cm  
 Excavation depth 100 cm

**Order No. L3.42000**  
**Middle Pyramid Tower**

4 items 100 x 100 x 80 cm  
 Excavation depth 120 cm

**Order No. L3.42500**  
**Midsize Pyramid Tower**

4 items 150 x 150 x 100 cm  
 Excavation depth 120 cm  
 1 item 90 x 30 x 50 cm  
 Excavation depth 70 cm

**Order No. L3.43000**  
**Big Pyramid Tower**

4 items 150 x 150 x 100 cm  
 Excavation depth 120 cm  
 1 item 90 x 30 x 50 cm  
 Excavation depth 70 cm  
 1 item 40 x 40 x 50 cm  
 Excavation depth 70 cm

**Attention:**  
 Exact measurements may vary, for all installation dimensions refer to current installation instructions.  
 For special climatic conditions, the equipment is also available with support posts made of laminated wood in mountain larch with square cross-section.  
 Technical changes reserved.

