

**Play value**

Our Transparent Towers are a very special play experience. Intermediate floors create small rooms that invite the children to hide away and engage in different kinds of role-playing games. The playroom in the bottom part of the tower offers a small bench and additional incentives for playing. A ladder installed on the outside can be used to climb up to the upper playing surface. The tower has a roof, and there is a passageway that connects the lower level with the upper one. Thanks to the gaps between the claddings, the towers are „transparent“, making them appear cosy and at the same time light and open.



© Richter Spielgeräte GmbH 01/22

**Fundamental characteristics**

- High-quality design
- Very special appeal
- Versatile opportunities for combination rooms for play inside
- Incentive for playing: experiencing height, cosy rooms despite „transparency“, role-playing games
- Movement: climbing

**Recommended for**

- Kindergarten children
- School children
- Supervised play areas, such as kindergartens, schools, after-school programmes or similar
- Public play areas without supervision, such as playgrounds, parks or similar

**Planning information**

The following pieces of equipment **cannot** be combined with the tower:

- Inclined Climbing Net
- Vertical Climbing Net
- Swing
- Balancing Rope with Holding Rope

**Towers for combination**

- Transparent Square Tower**
- Transparent Square Tower with Roof**



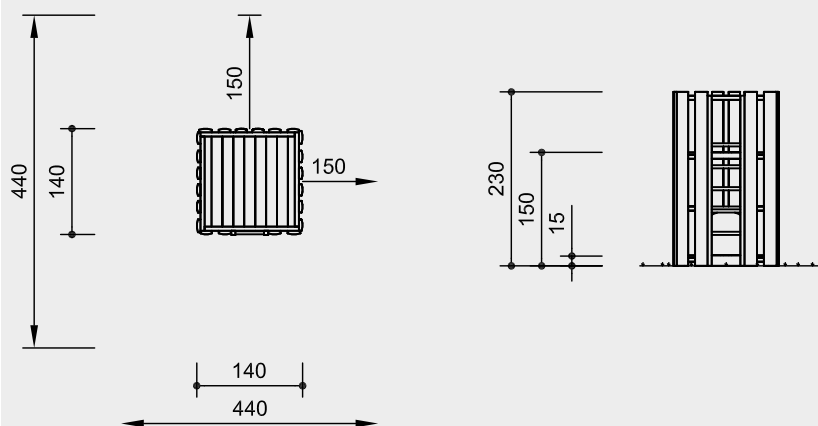
L3.20530



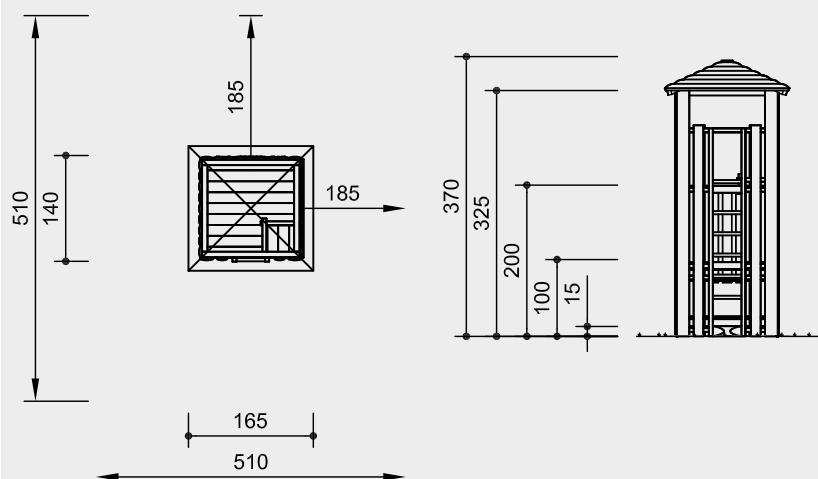
L3.20630

**Order No. L3.20530**  
**Transparent Square Tower**

Safety distance →  
 Device dimensions ●  
 Functional distance —



**Order No. L3.20630**  
**Transparent Square Tower with Roof**



Scale 1:100

Safety check according to DIN EN 1176

**Components**

**Order No. L3.20530**

- 1 Tower with:
  - 2 Floors, 1 ladder
  - 1 Bench in the lower room
  - 1 Passageway
- 4 Steel feet

**Order No. L3.20630**

- 1 Tower with:
  - 3 Floors, 1 ladder
  - 1 Bench in the lower room
  - 1 Passageway from 1st to 2nd floor
- 1 Roof
- 4 Steel feet

**Installation information**

Surfacing requirements corresponding to a fall height of  
**Order No. L3.20530** ≤ 1.50 m  
**Order No. L3.20630** ≤ 2.00 m  
 (please refer to price list for more detailed information)

Foundations  
 4 items 50 x 50 x 55 cm  
 Excavation depth 75 cm

**Attention:**  
**Exact measurements may vary; for all installation dimensions refer to current assembly instructions.**  
 Technical changes reserved.

**Technical information**

Equipment made of non-impregnated mountain larch

**Core-free**

Sawn-timbers core-free, thus decreasing occurrences of cracking and undesired changes in shape



**Claddings**

Claddings made of mountain larch (4 – 5 cm). Peeled white by hand, natural tree surface remains tangible and perceptible



**Hardwood rungs**

Climbing rungs made of hardwood (ash) Ø 4.2 cm, milled and mortised, secured against twisting, easy to grip and not cold for children to touch



**Ground anchor**

All parts used for anchoring to the ground are made of hot-dip galvanised steel or stainless steel



**For more detailed explanation of the quality characteristics see price list.**

Completely assembled construction

**Dimensions**

(small deviations possible)

**Order No. L3.20530**

<b>Transparent Square Tower</b>	
Height	2.30 m
Floor heights	0.15 / 1.50 m
Footprint	1.40 x 1.40 m
Weight	300 kg

**Order No. L3.20630**

<b>Transparent Square Tower with Roof</b>	
Height	3.70 m
Floor heights	0.15 / 1.00 / 2.00 m
Footprint with roof	1.65 m x 1.65 m
Weight	500 kg



L3.20530



L3.20630