

**Play value**

As a rule older children are more skilled and inclined to self-confidence than younger ones. Therefore, they are in a position to better know what they are really capable of than younger children. The two platforms at either end of the tightrope are accessible only by means of a firemen's pole or a climbing rope. There is more risk involved in playing on the high balancing rope than with many other pieces of playground equipment. Hence it is suitable for older children and young people who want to show their greater courage and skill.

**Fundamental characteristics**

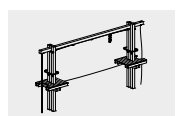
- Unique and original
- Incentive for playing: weigh up adventurous situations
- Movement: balancing, stretching, holding on

**Recommended for**

- School children
- Young people
- Public play areas without supervision, such as playgrounds, parks or similar
- Swimming pools without supervision, such as outdoor pools, adventure pools or similar
- Leisure parks



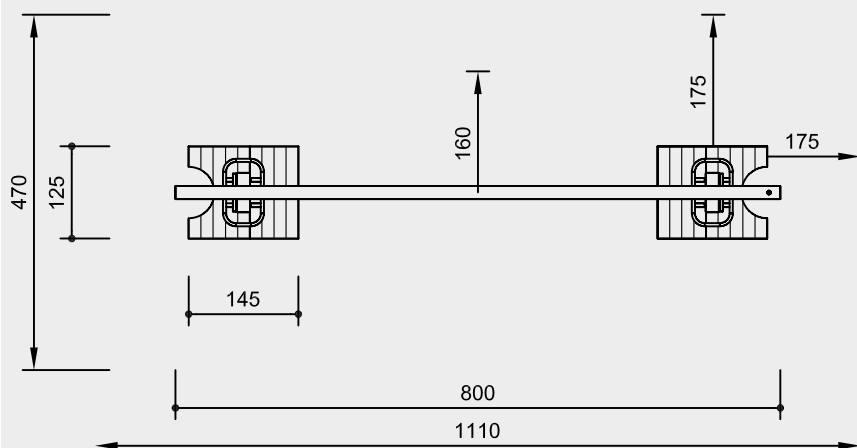
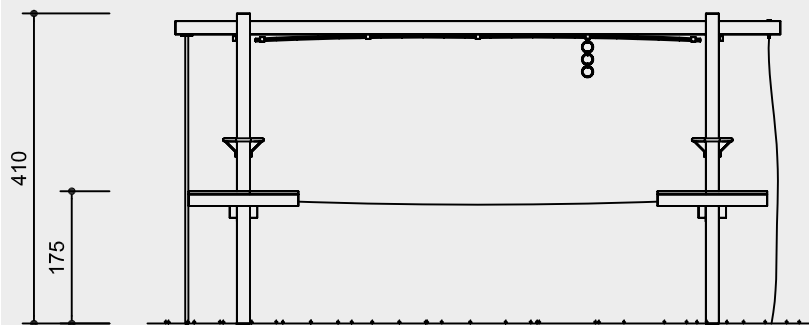
**High Balancing Rope**



**7.75004**

**Order No. 7.75004**  
**High Balancing Rope**

Safety distance →  
Device dimensions ●  
Functional distance —



Scale 1:100

Safety check according to DIN EN 1176

**Components**

- 1 Equipment complete with steel feet
  - 1 Firemen's pole
  - 1 Climbing rope
  - 1 Runner with travelling crab and grip rings
  - 1 Balancing rope

**Installation information**

Surfacing requirements corresponding to a fall height of ≤ 2.00 m (please refer to price list for more detailed information)

Foundations  
2 items 100 x 150 x 60 cm  
Excavation depth 80 cm  
1 item 40 x 50 x 50 cm  
Excavation depth 70 cm  
1 item 30 x 40 x 30 cm  
Excavation depth 50 cm

**Attention:**  
**Exact measurements may vary;**  
**for all installation dimensions refer**  
**to current assembly instructions.**  
Technical changes reserved.

**Technical information**

Equipment made of non-impregnated mountain larch

**Bevel cut**

Vertical stand posts with bevelled end grain section as constructive wood preservation measure



**Core-free**

Sawn-timbers core-free, thus decreasing occurrences of cracking and undesired changes in shape



**Tongue and groove**

Tongue and groove planks made of 4 cm solid wood, highly resilient, no trickling of dust / sand, protection against direct rain



**Richter Hercules type rope**

Richter Hercules type rope, a combination of galvanised six-strand steel cables and polyester yarn, diameter > 20 mm, laid and glued with very good abrasion resistance, strong sheathing even in the case of damage by puncturing



**Aluminium rope pressing**

Aluminium rope pressing, cylindrically pressed, with rounded ends



**Rope connection fixed**

Fixed rope connection without dangerous openings. Screw connection adjustable and countersunk in the wood



**Ground anchor**

All parts used for anchoring to the ground are made of hot-dip galvanised steel or stainless steel



**For more detailed explanation of the quality characteristics see price list.**

Firemen's pole made of stainless steel, Ø 42 mm

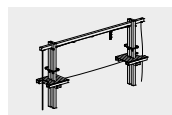
Guide rail and holding grips made of stainless steel

Runner galvanised

**Dimensions**

(small deviations possible)

Height	4.10 m
Rope height	1.75 m
Length	8.00 m
Pedestal plate	1.25 x 1.45 m
Weight	800 kg



7.75004