



Play value

The Tarzan Rope is suspended from a curved, laminated beam. It is not always possible for children and teenagers to fulfill their natural need for exercise in their environment. Therefore, the activities offered by the Tarzan Rope, such as swinging back and forth, moving hand over hand and daringly jumping off, are very popular activities. For reasons of security, this equipment requires special ground modelling. If this is not possible, we recommend the version with the pendulum seat.

Fundamental characteristics

- Curved laminated beam
- Movement: swinging back and forth

Recommended for

- School children
- Young people
- Public play areas without supervision, such as playgrounds, parks or similar
- Swimming pools without supervision, such as outdoor pools, adventure pools or similar
- Leisure parks



Order No. 7.64200 Tarzan Rope

**Tarzan Rope
Tarzan Rope with pendulum seat**



Order No. 7.64300 Tarzan Rope with pendulum seat



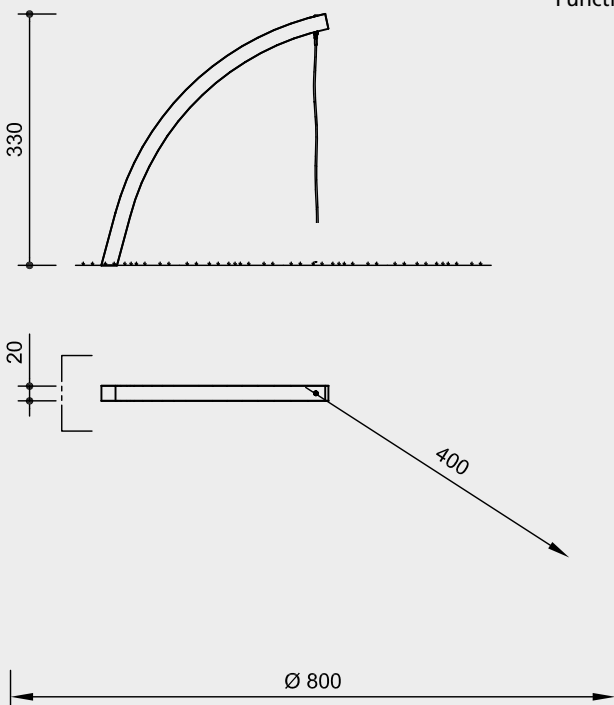
7.64200



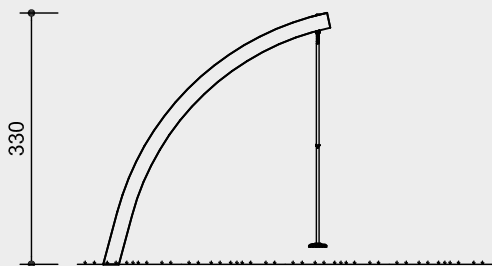
7.64300



**Order No. 7.64200
Tarzan Rope**



**Order No. 7.64300
Tarzan Rope with pendulum seat**



Scale 1:100

Safety check according to DIN EN 1176

Components

Order No. 7.64200

1 Curved, laminated beam (waterproof) with steel foot and rope

Order No. 7.64300

1 Curved, laminated beam (waterproof) with steel foot and pendulum seat

Installation information

Surfacing requirements corresponding to a fall height of ≤ 2.00 m (please refer to price list for more detailed information)

The height of fall can be reduced with appropriate ground modelling (request assembly instructions).

Foundations

1 item 100 x 100 x 80 cm
Excavation depth 100 cm

Attention:

Exact measurements may vary, for all installation dimensions refer to current installation instructions.

Technical changes reserved.



7.64200



7.64300

Technical information

Equipment made of non-impregnated mountain larch

Laminated wood beams

Laminated wood beams made of non-impregnated larch, glued according to EN 14080:2013; for very large timber cross-sections; comparatively low shrinkage, almost completely free of cracks



Universal joint

Drop-forged, hot-dip galvanised universal joint, consists of two sintered bushes, for free swinging in any direction



Rotating rope connection

Rotatable fitting without dangerous openings, with sintered bush with integrated swivel to ensure the rope untwists



Profiled washer

Profiled washer for covering protruding screw heads according to standard, improved pressure distribution and protection against water. Impedes loosening the bolt



Sintered bush

For all reciprocating movements we use sintered plain bearings which are self-lubricating in use and can easily be exchanged if necessary



Ground anchor

All parts used for anchoring to the ground are made of hot-dip galvanised steel or stainless steel



**Order No. 7.64200
Tarzan Rope**

Richter Hercules type rope

Richter Hercules type rope, a combination of galvanised six-strand steel cables and polyester yarn, diameter > 20 mm, laid and glued with very good abrasion resistance, strong sheathing even in the case of damage by puncturing



Aluminium rope pressing

Aluminium rope pressing, cylindrically pressed, with rounded ends



Standard colour rope: rainbow

Order No. 7.64300

Tarzan Rope with pendulum seat

Pendulum seat

Pendulum seat with a large rubber surface. Soft, protective edge and steel insert



Chains

Chains made of hot-dip galvanized steel (1.4301 / 1.4571 at extra charge) welded before galvanising, short-linked, without eyelets on the connecting parts, easy to exchange and shorten



For more detailed explanation of the quality characteristics see price list.

Dimensions

(small deviations possible)

Height	3.30 m
Beam cross section	20/20 cm
Weight	240 kg