



Order No. 6.31000 Hexagonal Rocking Plate

Play value

The flat metal plates with the fixed approach ramps and a moving part, for turning and rocking, require no foundations. They are light enough to move with a trailer but heavy enough so that they cannot be moved by vandals. Their stability also allows wheelchair users and people with cycles and mopeds to drive on and over them. The ground plates of metal are a discreet but effective play item for pedestrian areas, schoolyards and playgrounds and stimulate active play.

Fundamental characteristics

- Unique and original
- Offer for active play with integrative character
- Also suitable for wheelchair users
- Incentive for playing: surprising element on the ground
- Movement: rocking

Recommended for

- Kindergarten children
- School children
- Young people
- Supervised play areas, such as kindergartens, schools, after-school programmes or similar
- Public play areas without supervision, such as playgrounds, parks or similar

Barrier-free

- Special exercise experience
- With a carer



Order No. 6.30000 Rocking Plate, Photo © Valentin Luthiger

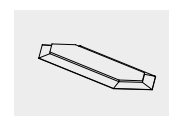


Order No. 6.30000 Rocking Plate, Photo © Valentin Luthiger

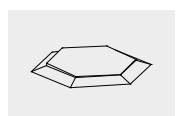
Note

An adequate surface design helps to avoid passers-by stepping on the plates unintentionally and thus improves safety.

Rocking Plate Hexagonal Rocking Plate

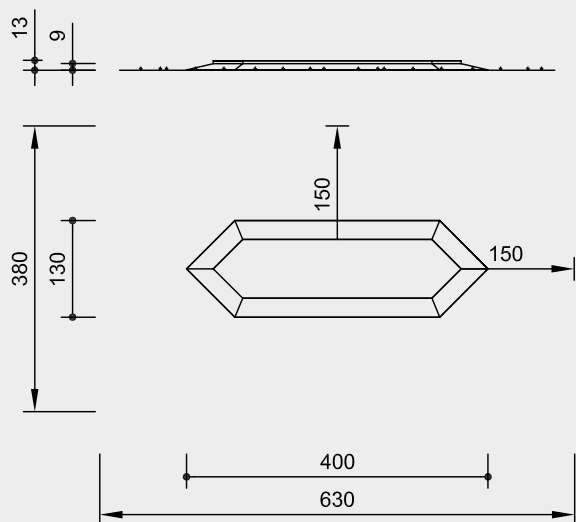


6.30000



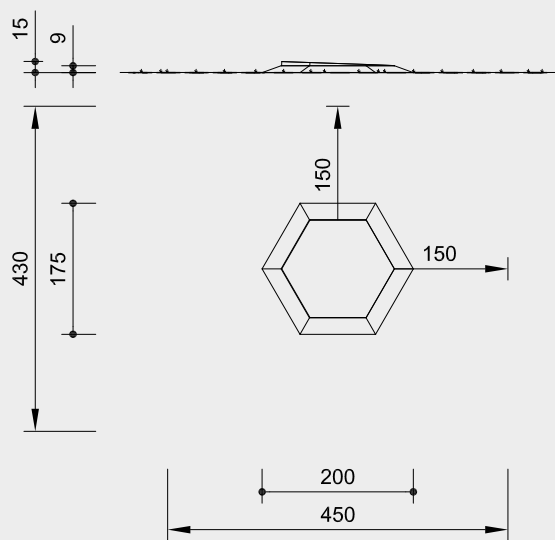
6.31000

Order No. 6.30000
Rocking Plate



Safety distance ———▶
Device dimensions ———●
Functional distance ———|

Order No. 6.31000
Hexagonal Rocking Plate



Scale 1:100

Safety check according to DIN EN 1176

Components

1 Part each

Installation information

Surfacing requirements corresponding to a fall height of $\leq 0,60$ m (please refer to price list for more detailed information)

Foundations
no foundations necessary

Attention:
Exact measurements may vary, for all installation dimensions refer to current installation instructions.
Technical changes reserved.

Technical information

Steel construction, hot-dip galvanised, padded underneath with vulcanised foam rubber to reduce sound level

Roller bearings

High-quality roller bearings made of chrome steel or stainless steel for rotating elements, easy to maintain and exchange, sealed



For more detailed explanation of the quality characteristics see price list.

Dimensions

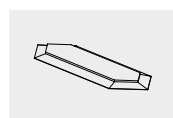
(small deviations possible)

Order No. 6.30000
Rocking Plate

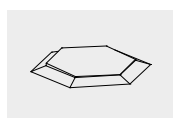
Height	0.09 / 0.13 m
Length	4.00 m
Width	1.30 m
Weight	275 kg

Order No. 6.31000
Hexagonal Rocking Plate

Height	0.09 / 0.15 m
Length	2.00 m
Width	1.75 m
Weight	230 kg



6.30000



6.31000