

**Play value**

The Rope Bar and Whisk can be attached to existing support posts and thus create an additional play range. In this example, both elements are installed in combination with our Vertical Climbing Net. The Bar is one of the classic exercise equipment items and is well-received by children, while the Whisk promotes completely new movements and is especially fun for two.



Order No. 6.45100 Rope Bar



Order No. L6.46000 Combination of Whisk, Rope Bar and Vertical Climbing Net. Rope Bar technical changed.

**Fundamental characteristics**

- Movement: climbing, doing exercises, turning, shifting one's body weight

**Recommended for**

- School children
- Supervised play areas, such as kindergartens, schools, after-school programmes or similar
- Public play areas without supervision, such as playgrounds, parks or similar

**Components**

**Order No. 6.27600 / 6.27610**

- 1 Turning whisk made of stainless steel for attachment to existing equipment

**Order No. 6.45100**

- 1 Rope Bar made of stainless steel complete with tensioning ropes, pressed for attachment to existing equipment

**Support posts for attachment available on request**

**Order No. L6.46000**

- 1 Whisk
- 1 Rope Bar
- 1 Vertical Climbing Net, Stand posts with steel feet

**Whisk  
Rope Bar  
Combination of Whisk, Rope Bar  
and Vertical Climbing Net**



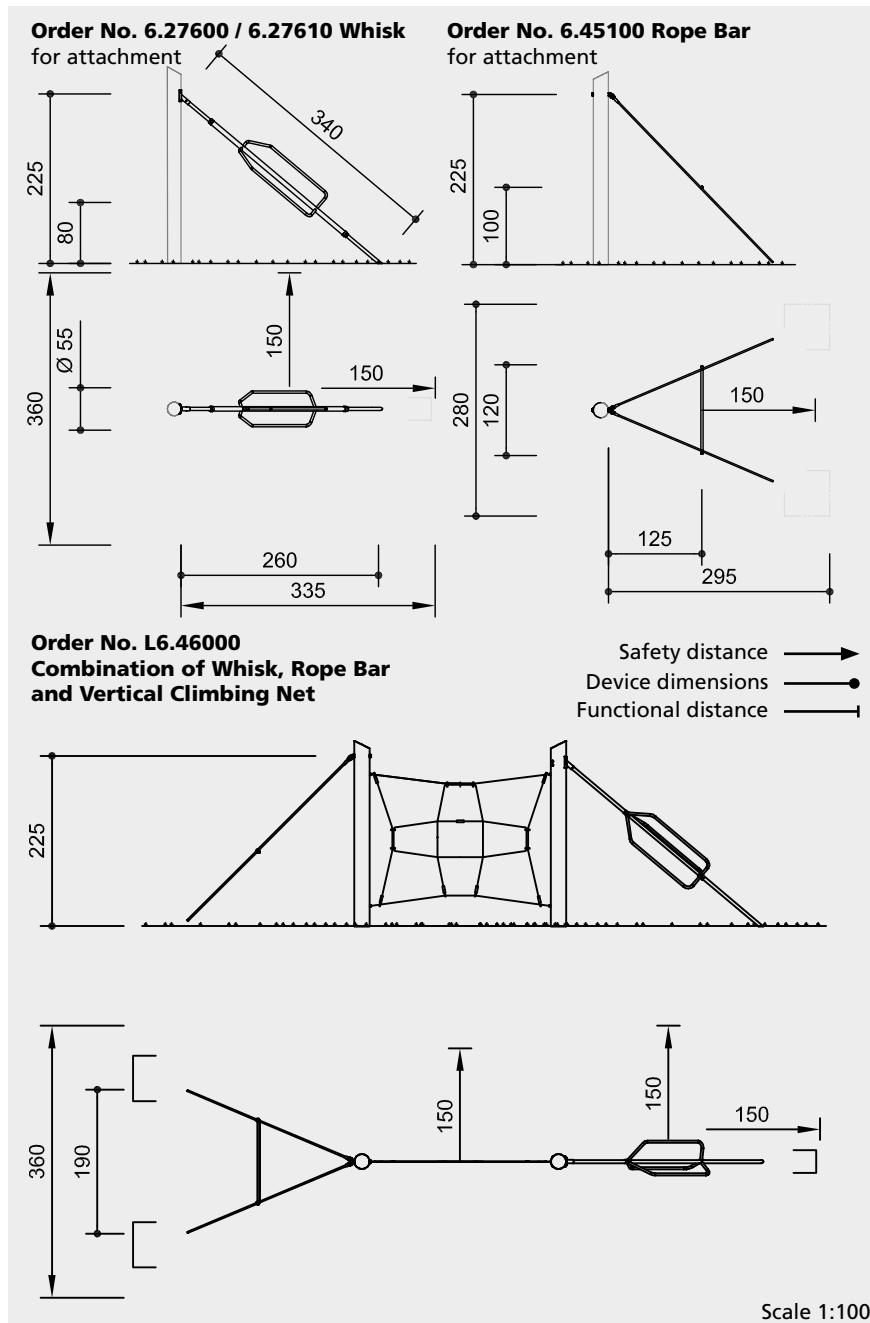
6.27600 / 6.27610



6.45100



L6.46000



Safety check according to DIN EN 1176

**Dimensions**

(small deviations possible)

<b>Order No. 6.27600 / 6.27610 Whisk</b>	
Attachment height	2.25 m
Length	3.40 m
Weight	40 kg
<b>Order No. 6.45100 Rope Bar</b>	
Attachment height	2.25 m
Rope Bar	
Height	1.00 m
Length	1.20 m
Weight	17 kg
<b>Order No. L6.46000 Combination of Whisk, Rope Bar and Vertical Climbing Net</b>	
Height	2.25 m
Length	7.60 m
Width	1.90 m
Weight	190 kg

**Installation information**

Surfacing requirements corresponding to a fall height of  
**Order No. 6.27600 / 6.27610 / 6.45100** ≤ 1.00 m  
**Order No. L6.46000** ≤ 1.50 m  
 (please refer to price list for more detailed information)

Foundations  
**Order No. 6.27600**  
 1 item 30 x 80 x 40 cm, Excavation 60 cm  
**Order No. 6.45100**  
 2 items 60 x 60 x 40 cm, Excavation 80 cm  
**Order No. L6.46000**  
 2 items 60 x 60 x 60 cm, Excavation 80 cm  
 2 items 60 x 60 x 40 cm, Excavation 80 cm  
 1 item 30 x 80 x 40 cm, Excavation 60 cm



6.27600 / 6.27610



6.45100



L6.46000

**Technical information**

**Order No. 6.27600 Whisk**  
 for attachment to round timber  
**Order No. 6.27610 Whisk**  
 for attachment to square timber

Equipment made of stainless steel,  
 glass bead blasted, Ø 42 or 30 mm

**Sintered bush**

For all reciprocating movements we use sintered plain bearings which are self-lubricating in use and can easily be exchanged if necessary



**Ground anchor**

All parts used for anchoring to the ground are made of hot-dip galvanised steel or stainless steel



Fixings on top depending on the element for attachment

**Order No. 6.45100 Rope Bar**

Rope Bar made of stainless steel,  
 Ø 30 mm, glass bead blasted

**Richter Hercules type rope**

Richter Hercules type rope, a combination of galvanised six-strand steel cables and polyester yarn, diameter > 20 mm, laid and glued with very good abrasion resistance, strong sheathing even in the case of damage by puncturing



**Ground anchor**

All parts used for anchoring to the ground are made of hot-dip galvanised steel or stainless steel



**Order No. L6.46000 Combination of Whisk, Rope Bar and Vertical Climbing Net**

As above, but additionally

**Peeled white**

Palisades peeled white means that bark, cambium and sapwood are removed, the natural shape of the trunk is preserved and can be experienced



**Bevel cut**

Vertical stand posts with bevelled end grain section as constructive wood preservation measure



**Richter Hercules type rope**

Richter Hercules type rope, a combination of galvanised six-strand steel cables and polyester yarn, diameter > 20 mm, laid and glued with very good abrasion resistance, strong sheathing even in the case of damage by puncturing



**Ground anchor**

All parts used for anchoring to the ground are made of hot-dip galvanised steel or stainless steel



**For more detailed explanation of the quality characteristics see price list.**

**Attention:**  
**Exact measurements may vary, for all installation dimensions refer to current installation instructions.**  
 Technical changes reserved.