



Photo © Paul Upward

Play value

The Hexagonal Swing provides a high degree of communication in addition to the joy of swinging and swaying. The participants can swing towards each other and watch each other or even touch each other's feet. Jumping off is not possible due to the vertically mounted tyres.

Fundamental characteristics

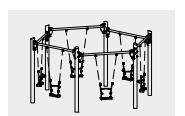
- Interesting wooden construction by naturally shaped posts
- Different heights of opposite swings enable soft contact between the participants
- Incentive for playing: coordination, communication
- Movement: swinging

Recommended for

- School children
- Young people
- Supervised play areas, such as kindergartens, schools, after school programmes or similar
- Public play areas without supervision, such as playgrounds, parks or similar

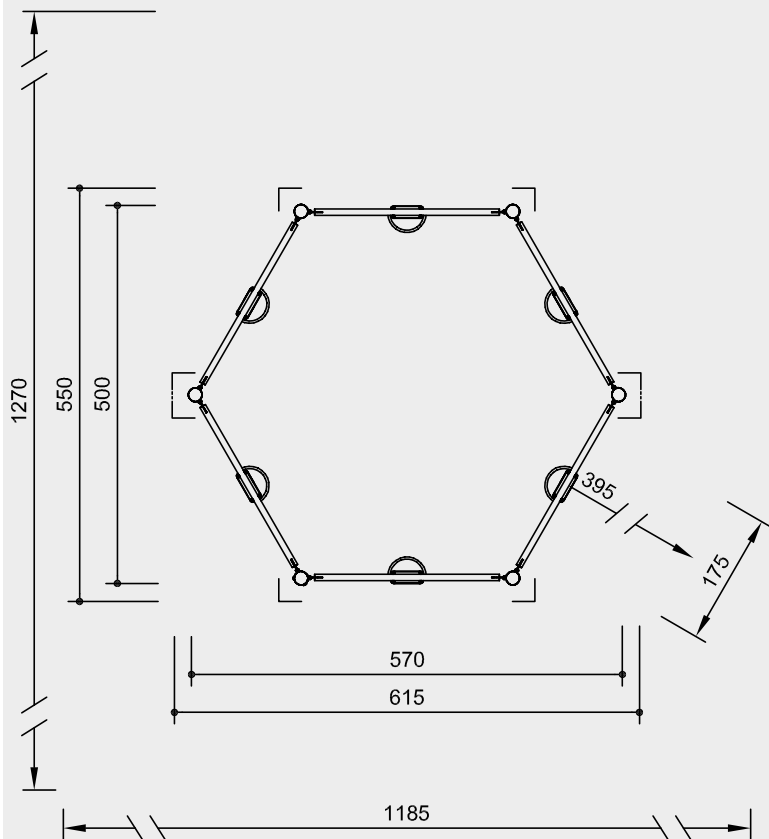
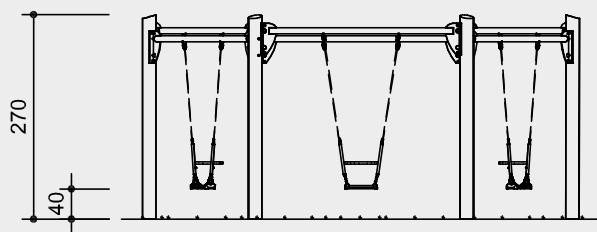


Hexagonal Swing special



Order No. 6.17020
Hexagonal Swing special

Safety distance 
 Device dimensions 
 Functional distance 



Scale 1:100

Safety check according to DIN EN 1176

Components

- 1 Hexagonal swing frame with steel feet and cross beams made of steel
- 6 Rubber swing seats with steel insert with safety bar to prevent jumping off

Installation information

Surfacing requirements corresponding to a fall height of ≤ 2.00 m (for more detailed information see price list)

Foundations
 6 items 60 x 60 x 60 cm
 excavation depth 80 cm

Attention:
Exact measurements may vary, for all installation dimensions refer to current installation instructions.
 Technical changes reserved.

Technical information

Equipment made of non-impregnated mountain larch

Peeled white

Palisades peeled white means that bark, cambium and sapwood are removed, the natural shape of the trunk is preserved and can be experienced



Bevel cut

Vertical stand posts with bevelled end grain section as constructive wood preservation measure



Swing seat

Ergonomically shaped swing seat made of rubber with soft shock absorbing edge. Durable due to strong profiled steel insert



Swing joint

Drop-forged, hot-dip galvanised swing joint with sintered bush and integrated swivel



Profiled washer

Profiled washer for covering protruding screw heads according to standard, improved pressure distribution and protection against water. Impedes loosening the bolt



Interlocking

Interlocking connection, with milled metal rings or serrated disc dowels, to reinforce the bolt connection under high loads transverse to the grain direction of the wood



Sintered bush

For all reciprocating movements we use sintered plain bearings which are self-lubricating in use and can easily be exchanged if necessary



Ground anchor

All parts used for anchoring to the ground are made of hot-dip galvanised steel or stainless steel



Cross beam made of steel

Swing cross beam made of hot-dip galvanized steel. Optimized swing geometry with rigid corner connections, thus allowing for smaller foundations and easier foundation covering



Chains

Chains made of hot-dip galvanized steel (1.4301 / 1.4571 at extra charge) welded before galvanising, short-linked, without eyelets on the connecting parts, easy to exchange and shorten



For more detailed explanation of the quality characteristics see price list.

Dimensions

(small deviations possible)

| | |
|--------------------|---------------|
| Height | 2.70 m |
| Vertical clearance | 2.35 / 2.45 m |
| Length | 5.70 m |
| Width | 5.00 m |
| Weight | 600 kg |

