



Play value

Our Small Elephant with Trunk Slide can be seen from a long way away and creates a very special atmosphere. Small and big children immediately recognise the friendly looking animal and want to explore curiously the life within. A large sand play area is situated in the body of the elephant, which invites them to hide away and engage in role-playing games. The slide in the trunk allows a quick getaway to the ground.

Fundamental characteristics

- Friendly appearance
- Very special appeal
- Eye-catcher of a play area
- Attractive meeting point
- Sand play area under the Platform
- Incentive for playing: curiosity, role-playing games
- Movement: climbing up and around, sliding

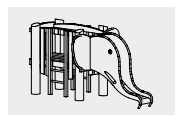
Recommended for

- Kindergarten children
- School children
- Supervised play areas, such as kindergartens, schools, after-school programmes or similar
- Public play areas without supervision, such as playgrounds, parks or similar
- Leisure areas



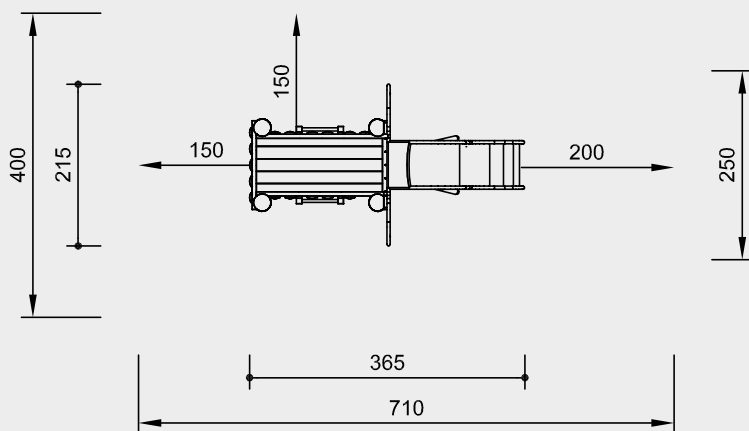
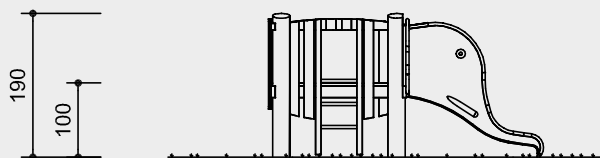
Order No. 4.08600 Small Elephant with Trunk Slide

Small Elephant with Trunk Slide



Order No. 4.08600
Small Elephant with Trunk Slide

Safety distance 
 Device dimensions 
 Functional distance 



Scale 1:100

Safety check according to DIN EN 1176

Components

- 1 Platform with 2 ladders
4 steel feet
- 1 Trunk slide with ground anchor

Installation information

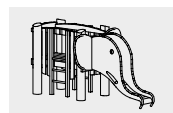
Surfacing requirements corresponding to a fall height of ≤ 1.00 m (please refer to price list for more detailed information)

Foundations

Elephant
4 items 60 x 60 x 60 cm
Excavation depth 80 cm

Trunk Slide
Excavation depth for ground anchor 55 cm

Attention:
Exact measurements may vary;
for all installation dimensions refer to current assembly instructions.
 Technical changes reserved.



4.08600

Technical information

Equipment made of non-impregnated mountain larch

Peeled white

Palisades peeled white means that bark, cambium and sapwood are removed, the natural shape of the trunk is preserved and can be experienced



Bevel cut

Vertical stand posts with bevelled end grain section as constructive wood preservation measure



Core-free

Sawn-timbers core-free, thus decreasing occurrences of cracking and undesired changes in shape



Claddings

Claddings made of mountain larch (4 – 5 cm). Peeled white by hand, natural tree surface remains tangible and perceptible



Tongue and groove

Tongue and groove planks made of 4 cm solid wood, highly resilient, no trickling of dust / sand, protection against direct rain



Hardwood rungs

Climbing rungs made of hardwood (ash) $\varnothing 4.2$ cm, milled and mortised, secured against twisting, easy to grip and not cold for children to touch



Ground anchor

All parts used for anchoring to the ground are made of hot-dip galvanised steel or stainless steel



For more detailed explanation of the quality characteristics see price list.

High-quality carpentry joints

Trunk slide made of stainless steel, glass bead blasted

Dimensions

(small deviations possible)

Height	1.90 m
Height of platform	1.00 m
Floor size	1.80 x 0.80 m
Length	3.65 m
Width	2.15 m