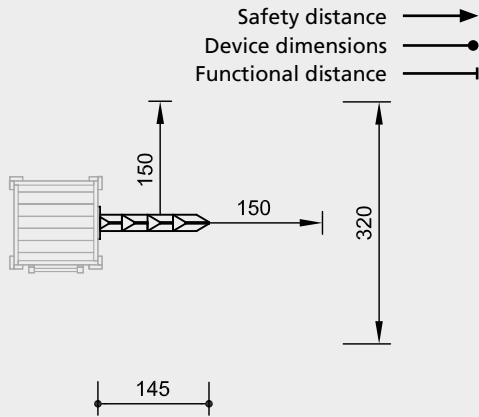
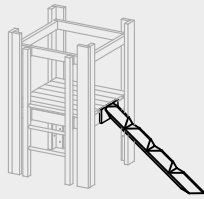
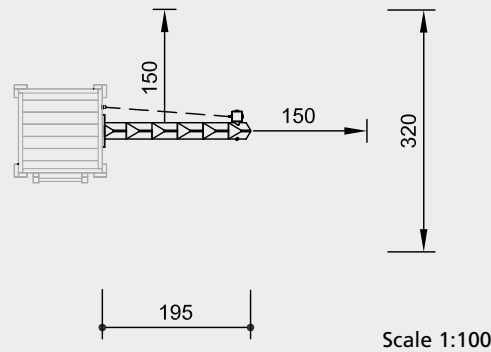
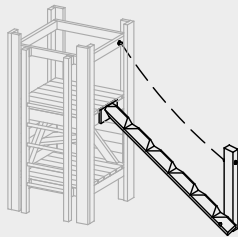


Order No. 3.69506
Climbing Trunk
 for attachment to Huts 1.00 m



Order No. 3.69516
Climbing Trunk with handrail on one side
 for attachment to Huts 1.50 m



Safety check according to DIN EN 1176

Components

Order No. 3.69506
 1 Climbing trunk with steel foot

Order No. 3.69516
 1 Climbing trunk with chain handrail and stand post with steel foot

Installation information

Surfacing requirements corresponding to a fall height of
Order No. 3.69506 ≤ 1.00 m
Order No. 3.69516 ≤ 1.50 m
 (please refer to price list for more detailed information)

Foundations
Order No. 3.69506
 1 item 40 x 40 x 20 cm
 Excavation depth 40 cm
Order No. 3.69516
 1 item 60 x 60 x 60 cm
 Excavation depth 80 cm

Attention:
Exact measurements may vary; for all installation dimensions refer to current assembly instructions.
 Technical changes reserved.

Technical information

Equipment made of non-impregnated mountain larch

Bevel cut

Vertical stand posts with bevelled end grain section as constructive wood preservation measure



Core-free

Sawn-timbers core-free, thus decreasing occurrences of cracking and undesired changes in shape



Plywood

Plywood made of mountain larch, three-layer (3 cm) or five-layer (4 cm). High dimensional stability, waterproof, glued according to DIN EN 13353:2011



Profiled washer

Profiled washer for covering protruding screw heads according to standard, improved pressure distribution and protection against water. Impedes loosening the bolt



Ground anchor

All parts used for anchoring to the ground are made of hot-dip galvanised steel or stainless steel



Chains

Chains made of hot-dip galvanized steel (1.4301 / 1.4571 at extra charge) welded before galvanising, short-linked, without eyelets on the connecting parts, easy to exchange and shorten



Distance fitting

Screw connection with distance fitting to avoid entrapment areas



For more detailed explanation of the quality characteristics see price list.

Dimensions

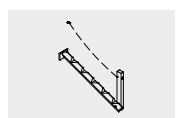
(small deviations possible)

Order No. 3.69506
 Length 2.45 m
 Weight 40 kg

Order No. 3.69516
 Length 2.35 m
 Weight 80 kg

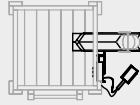
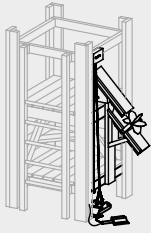


3.69506



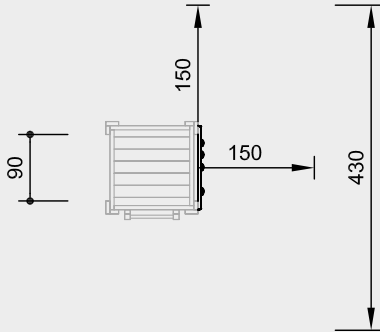
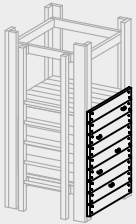
3.69516

Order No. 3.19100
Sand Play Equipment
 for attachment to Huts 1.50 m

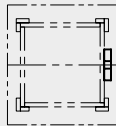
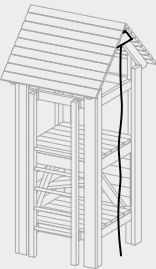


Safety distance →
 Device dimensions —●—
 Functional distance —|—

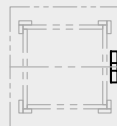
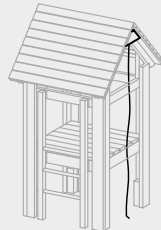
Order No. 3.67503
Climbing Wall
 for attachment to Huts 1.50 m



Order No. 3.69430
Climbing Rope
 for attachment to Platform Hut 1.50 m
 with Roof, pedestal height 1.50 m



Order No. 3.69433
Climbing Rope
 for attachment to Platform Hut 1.00 m
 with Roof, pedestal height 1.00 m



Scale 1:100

Safety check according to DIN EN 1176

Components

- Order No. 3.19100**
 1 Sand hoist with shovel and chain
 1 2-level sand chute with sand wheel

- Order No. 3.67503**
 1 Attached climbing wall
 5 Climbing grips

- Order No. 3.69430 / 3.69433**
 1 Climbing rope with fitting for roof of
 platform hut

Attention:
Exact measurements may vary;
for all installation dimensions refer
to current assembly instructions.
 Technical changes reserved.

Installation information

Surfacing requirements
 corresponding to a fall height of
Order No. 3.67503 ≤ 1.50 m
Order No. 3.69430 ≤ 2.00 m
Order No. 3.69433 ≤ 1.50 m
 (please refer to price list for more
 detailed information)
Order No. 3.19100
 Sand is required for correct functioning.

Foundations
Order No. 3.69430
 1 item 30 x 30 x 30 cm
 Excavation depth 50 cm

Technical information

Order No. 3.19100
 Equipment made of non-impregnated
 mountain larch

Core-free
 Sawn-timbers core-free, thus decreasing
 occurrences of cracking and undesired
 changes in shape



Sintered bush
 For all reciprocating movements we
 use sintered plain bearings which are
 self-lubricating in use and can easily be
 exchanged if necessary



Chains
 Chains made of hot-dip galvanized
 steel (1.4301 / 1.4571 at extra charge)
 welded before galvanising, short-linked,
 without eyelets on the connecting parts,
 easy to exchange and shorten



Sand container of textile-reinforced
 rubber belt, 8 mm thick
 Sand wheel and shovel hot-dip
 galvanised

Order No. 3.67503
 Equipment made of non-impregnated
 mountain larch

Core-free
 Sawn-timbers core-free, thus decreasing
 occurrences of cracking and undesired
 changes in shape



Tongue and groove
 Tongue and groove planks made of
 4 cm solid wood, highly resilient, no
 trickling of dust / sand, protection
 against direct rain



Professional climbing grips made of a
 mixture of sand-synthetic resin with
 100% safe anti-rotation system against
 unintended twisting of the grips

Order No. 3.69430 / 3.69433

Richter Hercules type rope
 Richter Hercules type rope, a combina-
 tion of galvanised six-strand steel cables
 and polyester yarn, diameter > 20 mm,
 laid and glued with very good abrasion
 resistance, strong sheathing even in the
 case of damage by puncturing



Rope connection fixed
 Fixed rope connection without dan-
 gerous openings. Screw connection
 adjustable and countersunk in the wood



**For more detailed explanation of the
 quality characteristics see price list.**

Standard colour rope: rainbow

Dimensions
 (small deviations possible)

Order No. 3.67503
 Height 1.50 m
 Width 0.90 m
 Weight 50 kg

Order No. 3.69430 / 3.69433
 Installation height 3.00 / 2.50 m
 Weight 5 kg



3.19100



3.67503



3.69430 / 3.69433