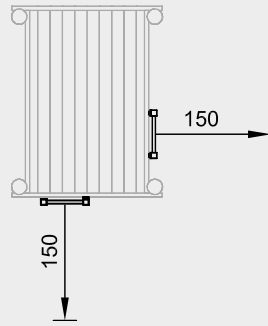
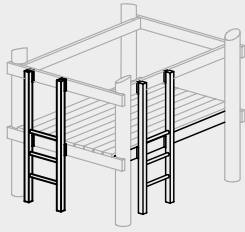


Order No. 3.67340 / 3.67350

Ladder

for attachment to Platform 1.00 m
short side / long side



Safety distance
Device dimensions
Functional distance

Technical information

Equipment made of non-impregnated mountain larch

Core-free

Sawn-timbers core-free, thus decreasing occurrences of cracking and undesired changes in shape



Hardwood rungs

Climbing rungs made of hardwood (ash) Ø 4.2 cm, milled and mortised, secured against twisting, easy to grip and not cold for children to touch



For more detailed explanation of the quality characteristics see price list.

Dimensions

(small deviations possible)

Order No. 3.67340 / 3.67350

| | |
|--------|---------|
| Length | 1.80 m |
| Width | 0.62 m |
| Weight | 14.5 kg |

Order No. 3.67360 / 3.67370

| | |
|--------|---------|
| Length | 2.30 m |
| Width | 0.62 m |
| Weight | 17.5 kg |

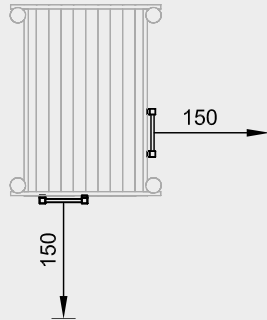
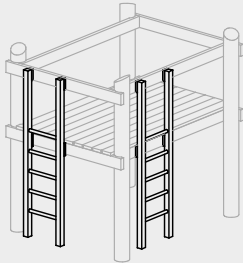
Order No. 3.67380 / 3.67390

| | |
|--------|---------|
| Length | 2.80 m |
| Width | 0.62 m |
| Weight | 20.5 kg |

Order No. 3.67360 / 3.67370

Ladder

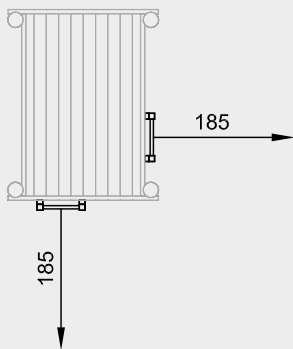
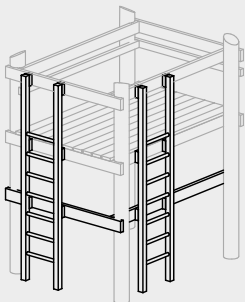
for attachment to Platform 1.50 m
short side / long side



Order No. 3.67380 / 3.67390

Ladder

for attachment to Platform 2.00 m
short side / long side



Scale 1:100

Components

1 Ladder

Installation information

Surfacing requirements corresponding to a fall height determined by installation height (please refer to price list for more detailed information)

Attention:

Exact measurements may vary; for all installation dimensions refer to current assembly instructions.

Technical changes reserved.

© Richter Spielgeräte GmbH 06/22

Safety check according to DIN EN 1176



3.67340 / 3.67350

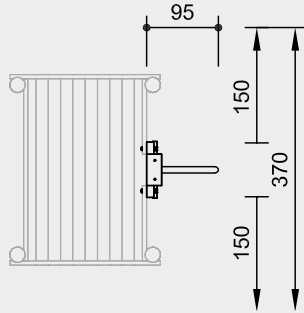
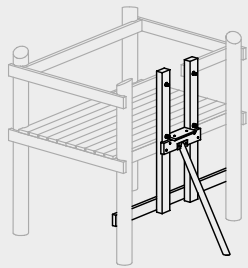


3.67360 / 3.67370



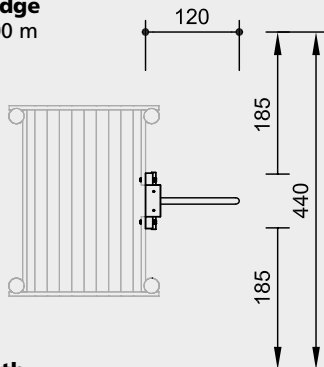
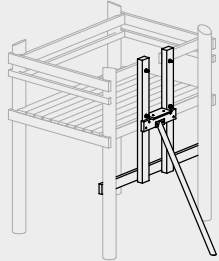
3.67380 / 3.67390

Order No. 3.66075
Support Frame for Suspension Bridge
Order No. 3.66623
Support Frame for Rope Bridge
 for attachment to Platform 1.50 m

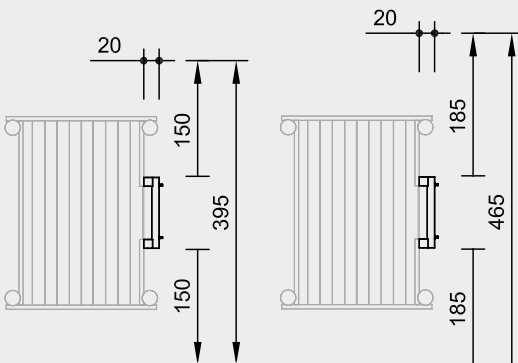
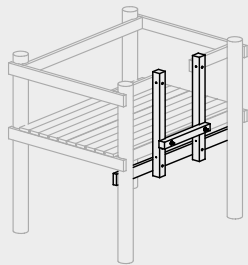


Safety distance →
 Device dimensions —●—
 Functional distance —|—

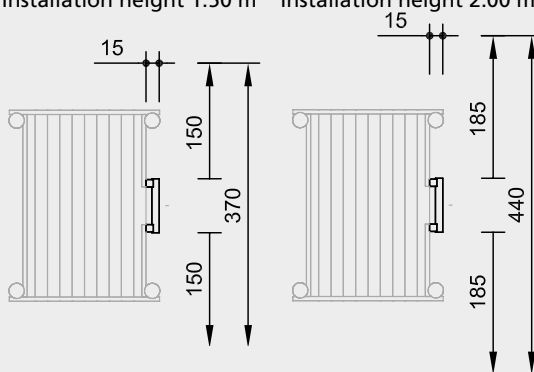
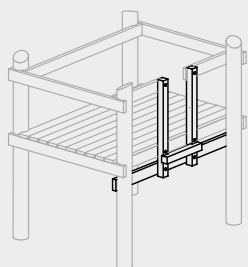
Order No. 3.66085
Support Frame for Suspension Bridge
Order No. 3.66633
Support Frame for Rope Bridge
 for attachment to Platform 2.00 m



Order No. 3.66250
Support Frame for Chain Path
 for attachment to Platforms Installation height 1.50 m Installation height 2.00 m



Order No. 3.66370
Support Frame for Bridges
 for attachment to Platforms Installation height 1.50 m Installation height 2.00 m



Scale 1:100

Safety check according to DIN EN 1176

Technical information

Equipment made of non-impregnated mountain larch

Core-free
 Sawn-timbers core-free, thus decreasing occurrences of cracking and undesired changes in shape



Profiled washer
 Profiled washer for covering protruding screw heads according to standard, improved pressure distribution and protection against water. Impedes loosening the bolt



Ground anchor
 All parts used for anchoring to the ground are made of hot-dip galvanised steel or stainless steel



For more detailed explanation of the quality characteristics see price list.

Metal braces hot-dip galvanised, Ø 83 mm

Components

- 1 Frame each with metal brace in the case of suspension bridges and rope bridges

Installation information

Surfacing requirements corresponding to a fall height determined by installation height (please refer to price list for more detailed information)

Foundations
Order No. 3.66075 / 3.66085
Support Frame for Suspension Bridge
Order No. 3.66623 / 3.66633
Support Frame for Rope Bridge
 1 item 60 x 60 x 40 cm
 Excavation depth 60 cm

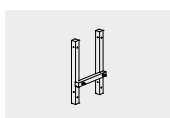
Attention:
Exact measurements may vary; for all installation dimensions refer to current assembly instructions.
 Technical changes reserved.



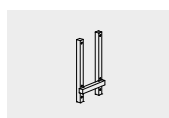
3.66075 / 3.66623



3.66085 / 3.66633



3.66250



3.66370