

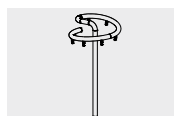


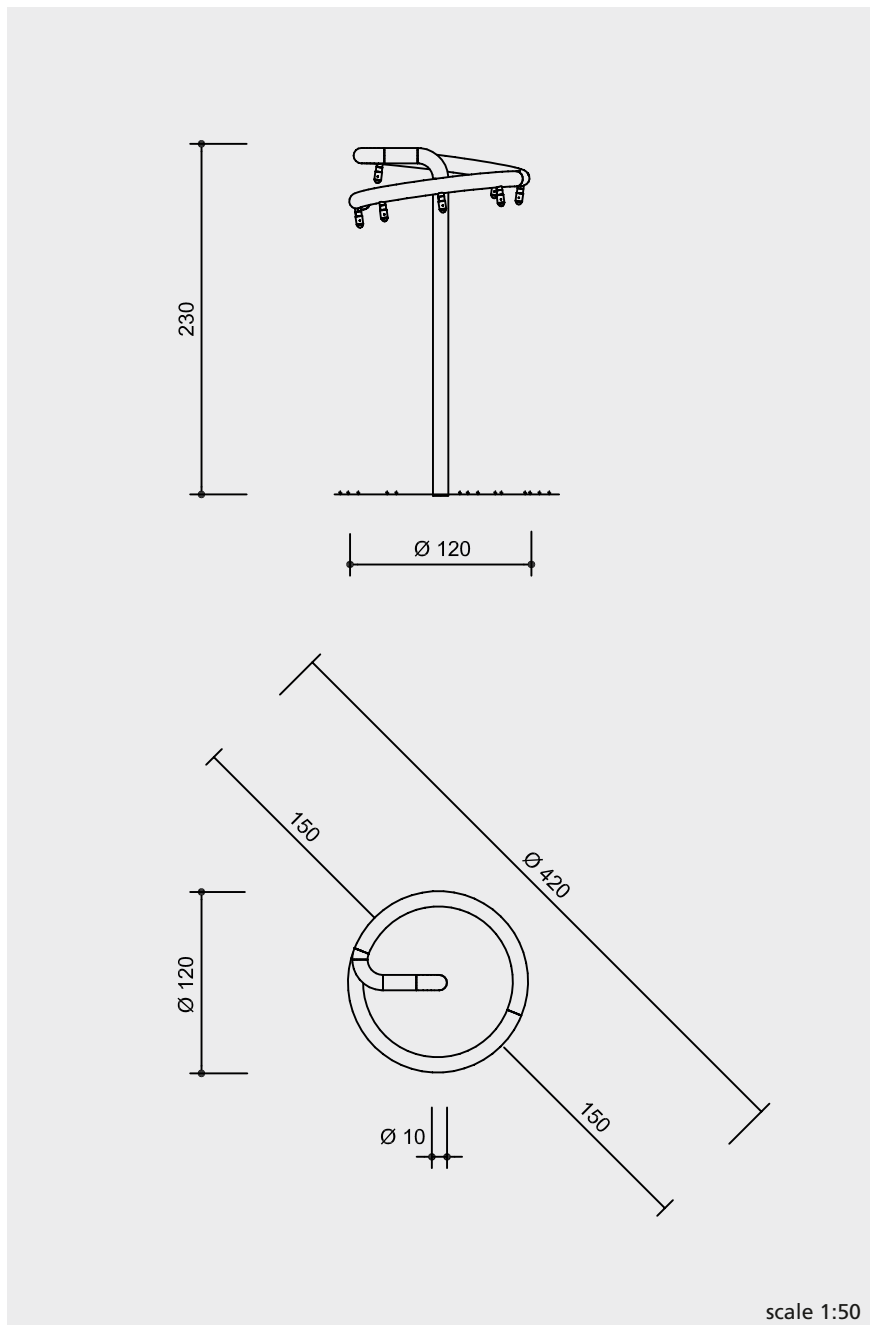
Function

The Spiral Bells are intended to strengthen the entire shoulder girdle and the arms. The task is for people to stretch while looking upwards to the spiral situated above head height. Bells are installed at regular intervals in the curved tube. The aim is to touch each one in a circular pattern and make them ring. In performing this exercise people grasp for objects and train the mobility of their joints.



Spiral Bells





Technical information

equipment made of stainless steel

tube diameter 10 cm

grips made of polyoxymethylene (POM-C)

standard colour blue

Dimensions

(small deviations possible)

height 2.30 m

diameter 1.20 m

weight 30 kg

Safety

This equipment is not playground equipment within the scope of EN 1176 and therefore is also not subject to the requirements of this standard. However, it is complied with where appropriate.

Components

Spiral Bells

Installation information

Surfacing requirements
no requirements

Foundations
1 item 50 x 50 x 40 cm
excavation depth 60 cm

Attention!
Exact measurements may vary, for all installation dimensions refer to current installation instructions.
We reserve the right to make technical alterations!
Equipment that can be bolted into place is also available.



11.02700