

Play value

The Marbles Table can be compared to the popular „Mouse hunt“. By moving the marbles table you can drop the marbles in the holes. Skill and coordination are called for, especially if this game is being played by several people.



Marbles Table

Recommended for

- Kindergarten children
- School children
- Young people
- Adults
- Older people
- Public play areas without supervision, such as playgrounds, parks or similar


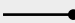

Barrier-free

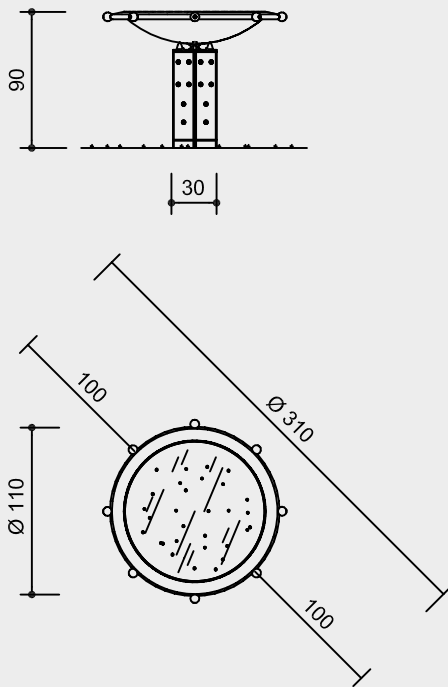
- Independent play



11.01500

Order No. 11.01500
Marbles Table

Safety distance 
Device dimensions 
Functional distance 



Scale 1:50

Safety check according to DIN EN 1176

Components

- 1 Marbles Table
- 1 Support post with 4 foundation anchors

Installation information

Surfacing requirements
no requirements

Foundations
1 item 60 x 70 x 40 cm
Excavation depth 60 cm

Attention:
Exact measurements may vary;
for all installation dimensions refer
to current assembly instructions.
Technical changes reserved.

Technical information

Equipment made of stainless steel

Core-free

Sawn-timbers core-free, thus decreasing occurrences of cracking and undesired changes in shape



Adjustable

Adjustable two-piece bolt connection, easy to maintain, no projecting threads



HPL ground anchor

Foundation anchor made of phenol resin paper-based laminates



For more detailed explanation of the quality characteristics see price list.

Sandwich construction foot, oiled, non-positive fitting

Dish made of stainless steel, glass-bead blasted

Cover made of single-pane safety glass, 10 mm

Marbles Ø 25 mm made of POM (18 pieces)

Support made of rubber buffers for controlled rocking movement incl. anti-twist protection

Handle balls made of polyamide

Dimensions

(small deviations possible)

Height	0.90 m
Diameter	1.10 m
Weight	195 kg



11.01500