

Play value

These stylised tree shapes with their different sound leaves, sound branches and drums are particularly suited to parks and atmospheric gardens. Exciting music can be experienced when played together. The sounds range from the melancholic sound of the Steeldrum to the cheerful one of the Sound Leaf. These robust objects can be played by hand or with the attached hammers.

Sound Leaf

The individual sound plates have a tone like the clang of a cymbal. The stylised leaves are attached to the tree in a way that they can move freely. They produce a very cheerful and lively sound.

Sound Tree

The sound bars are like powerful chimes and represent branches. They are also used to make xylophones.

Steeldrum

The melodic, sometimes also melancholic sound of the Steeldrum fascinates people. It symbolises the wooden drums that are made from hollowed tree trunks in many different cultures. The Steeldrum was first made from old oil barrels after the Second World War by people from the Caribbean. Skilful hammering creates individual areas in the base each having their own different tone.

Recommended for

- School children
- Young people
- Adults
- Older people
- Public play areas without supervision, such as playgrounds, parks or similar



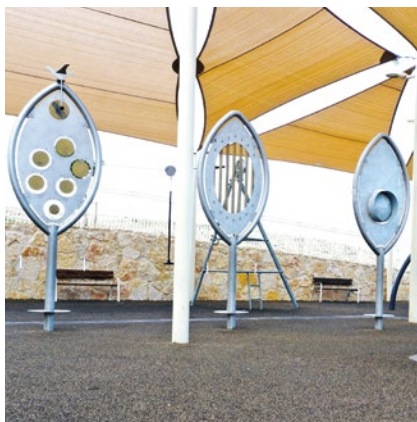
Order No. 10.54100 Sound Tree



Order No. 10.54000 Sound Leaf

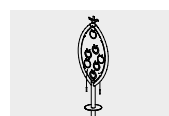


Order No. 10.54200 Steeldrum

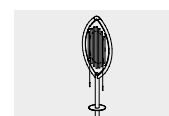


**Sound Leaf
Sound Tree
Steeldrum**

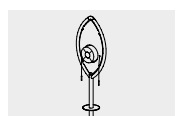
Acoustic effect	medium
Vandalism	not vulnerable
Supervision	not necessary
Explanation Board	not necessary
Installation	outdoors
Safety check (DIN EN 1176)	not necessary
Installation in concrete	not possible



10.54000



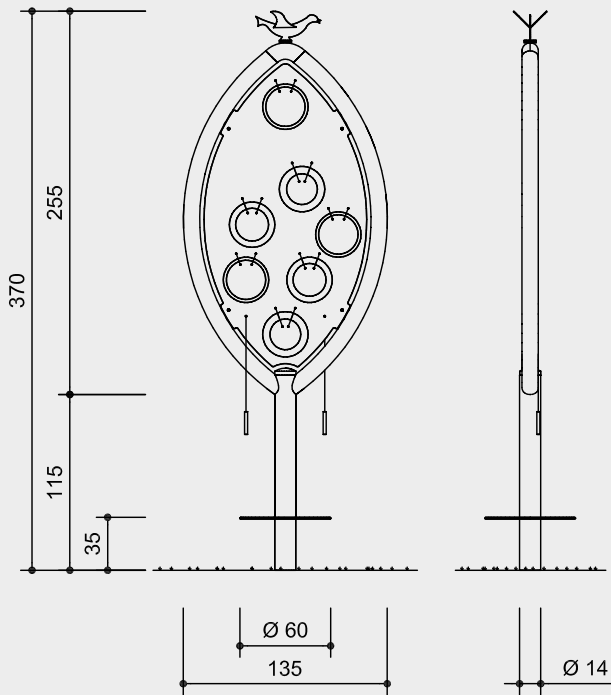
10.54100



10.54200

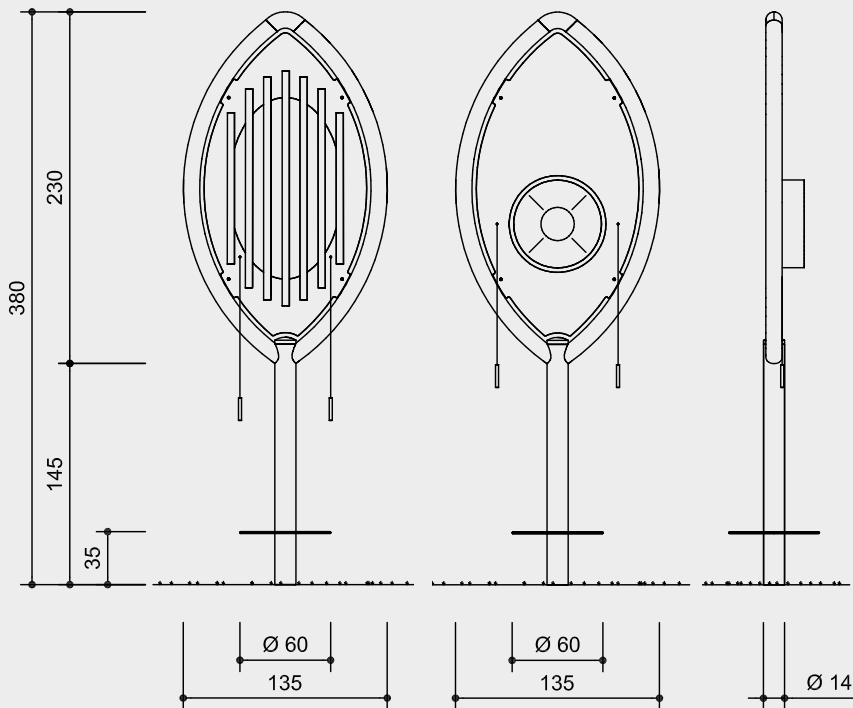
Order No. 10.54000
Sound Leaf

Safety distance →
Device dimensions ●
Functional distance —



Order No. 10.54100
Sound Tree

Order No. 10.54200
Steeldrum



Scale 1:50

Technical information

Equipment made of stainless steel;
in stylized tree shape

Ground anchor

All parts used for anchoring to the
ground are made of hot-dip galvanised
steel or stainless steel



**For more detailed explanation of the
quality characteristics see price list.**

Order No. 10.54000
Sound Leaf

Sound plates made of brass
Beater made of PE

Order No. 10.54100
Sound Tree

Tubes made of brass
Beater made of PE

Order No. 10.54200
Steeldrum

Meditation pan made of stainless steel
Powder-coated
Beater made of PE

Dimensions

(small deviations possible)

Order No. 10.54000
Sound Leaf

Height	3.70 m
Headroom	0.35 m
Width	1.35 m
Weight	180 kg

Order No. 10.54100
Sound Tree
Order No. 10.54200
Steeldrum

Height	3.80 m
Headroom	0.35 m
Width	1.35 m
Weight	180 kg

Components

- 1 Complete piece of equipment
with Foundation frame

Trademark

30 2005 500 000 Germany
40-0682207 South Korea

Explanation board on request

Installation information

Recommended space
Circle diameter 3.00 m

Foundation
1 item 130 x 130 x 70 cm
reinforced
Blinding layer
130 x 130 x 5 cm
Total excavation depth 115 cm

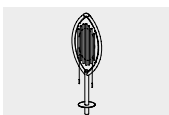
Attention:

**Exact measurements may vary;
for all installation dimensions refer
to current assembly instructions.**

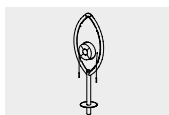
Technical changes reserved.



10.54000



10.54100



10.54200