



Photo © Marina Pavlova

Play value

The skin can also perceive sound. Sound waves, especially those from gongs, are not only perceived by the ear but also by the skin. Every material has its own typical sound. In order to create this sound, the material needs to be made into a typical form. The gong, along with the triangle and bells, is a special design for metal.

Recommended for

- School children
- Young people
- Adults
- Older people
- Supervised play areas such as schools, after school programmes or similar
- Public play areas without supervision such as playgrounds, parks or similar

Barrier-free

- Independent play



Photo © Marina Pavlova



Acoustic effect	strong; not suitable for residential areas
Vandalism	slightly vulnerable
Supervision	not necessary
Explanation Board	not necessary
Installation	indoors and outdoors
Safety check (DIN EN 1176)	not necessary
Installation in concrete	possible

Gong
graubner Play Stations
for Developing the Senses

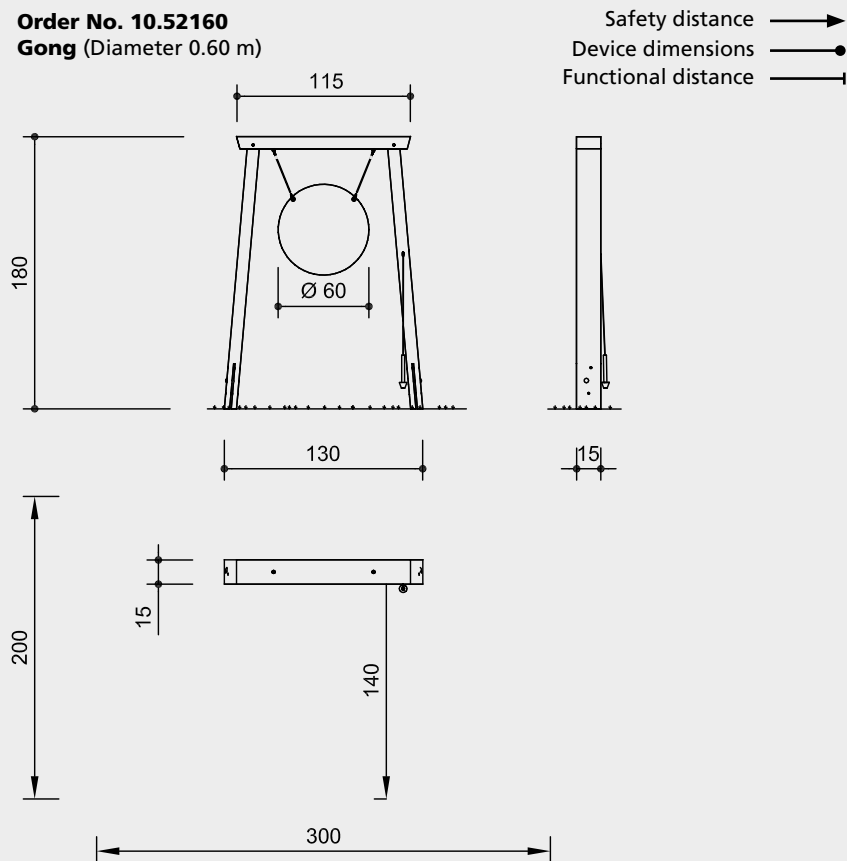


10.52160

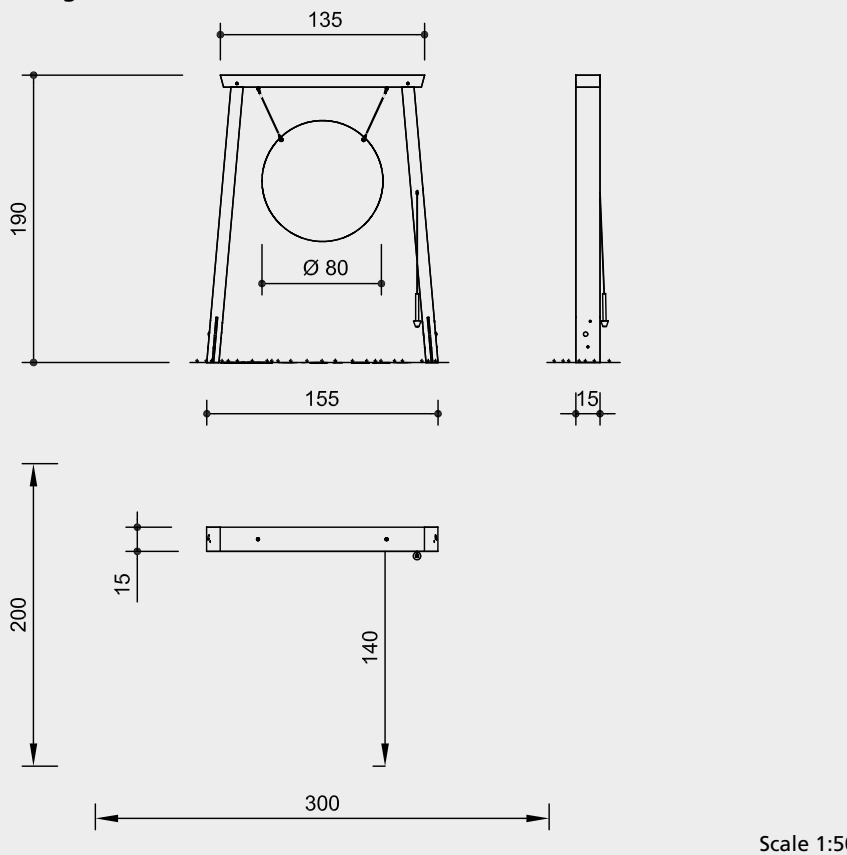


10.52180

Order No. 10.52160
Gong (Diameter 0.60 m)



Order No. 10.52180
Gong (Diameter 0.80 m)



Scale 1:50

Technical information

Frames made of oak

Core-free

Sawn-timbers core-free, thus decreasing occurrences of cracking and undesired changes in shape



Ground anchor

All parts used for anchoring to the ground are made of hot-dip galvanised steel or stainless steel



For more detailed explanation of the quality characteristics see price list.

Gong made of V2A 4 mm thick with 2 holes for suspension.

Beater with rubber head, suspension made of stainless steel cable

Dimensions

(small deviations possible)

Order No. 10.52160

Height	1.80 m
Width	1.15 / 1.30 m
Depth	0.15 m
Gong diameter	0.60 m
Weight	75 kg

Order No. 10.52180

Height	1.90 m
Width	1.35 / 1.55 m
Depth	0.15 m
Gong diameter	0.80 m
Weight	100 kg

Installation information

Recommended space
 3.00 x 2.00 m

Foundations
 2 items 50 x 50 x 50 cm
 Excavation depth 70 cm

Attention:

Exact measurements may vary; for all installation dimensions refer to current assembly instructions.
 Technical changes reserved.

Components

1 Support frame with steel feet,
 1 gong and 1 beater

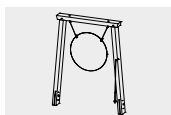
Trademark

30 2005 500 000 Germany
 40-0682207 South Korea

Explanation board on request



10.52160



10.52180