

Play value

Here, the energy of sunlight can be experienced directly. As soon as the sunlight encounters resistance or impermeability, it is converted into warmth which we notice on our skin, for example. Sunlight is collected in the 30 cm magnifying lens and is concentrated to a beam. The rougher and darker the material that it encounters, the more the rays are converted to heat. This can be experienced by carefully placing the hand behind the lens. Even wood can be scorched at the focal point.

Recommended for

- Kindergarten children
- School children
- Young people
- Adults
- Older people
- Public play areas without supervision, such as playgrounds, parks or similar



The picture shows the magnifying lens without table.



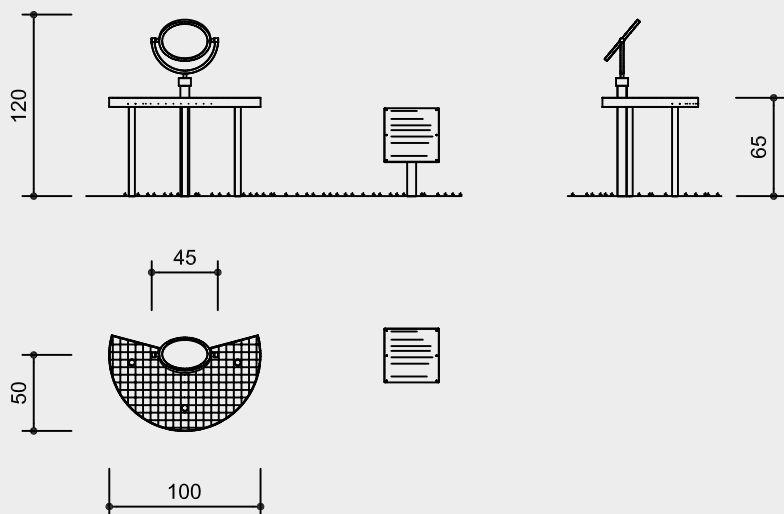
Magnifying Lens

Vandalism	vulnerable in non-supervised areas
Supervision	absolutely necessary can generate considerable heat
Explanation Board	included
Installation	outdoors
Safety check (DIN EN 1176)	has been completed
Installation in concrete	possible



Order No. 10.32000
Magnifying Lens

Safety distance →
Device dimensions ●
Functional distance —



Scale 1:50

Technical information

Equipment made of stainless steel

Sintered bush

For all reciprocating movements we use sintered plain bearings which are self-lubricating in use and can easily be exchanged if necessary



Ground anchor

All parts used for anchoring to the ground are made of hot-dip galvanised steel or stainless steel



For more detailed explanation of the quality characteristics see price list.

Universal joint support made of stainless steel, rotatable and pivotable in all directions, maintenance-free bearings

Large-sized optical plano-convex collection lens made of shatter-proof acrylic glass

Support for Explanation Board made of stainless steel

Dimensions

(small deviations possible)

Height	1.20 m
Lens diameter	0.30 m
Weight	75 kg

Components

- 1 Complete piece of equipment with table
- 1 Explanation Board with support for dowelling and 4 heavy duty anchors

Trademark

30 2005 500 000 Germany
40-0682207 South Korea

Installation information

Recommended space circle diameter 3.00 m

Foundations

Magnifying Lens

1 item 40 x 40 x 40 cm
Excavation depth 60 cm

Table

3 items 30 x 30 x 40 cm
Excavation depth 60 cm

Explanation Board

1 item 40 x 40 x 40 cm
Excavation depth 60 cm

Attention:

Exact measurements may vary; for all installation dimensions refer to current assembly instructions.

Technical changes reserved.



10.32000