



Photo © Daniel Perales

Play value

If you look through the prism in daylight the most wonderful colours can be seen: red, orange, yellow, green, blue, indigo, violet. Smaller dark objects in the surrounding area appear to be totally colourful, lines look as if they are curved and, in the boundary between sunlit and shadowed areas, coloured fringes appear. Because the light does not pass through the prism in a straight line it is possible to transpose the image of the dark surface over that of the light surface by turning the prism. The brightness of light and the shadows of dark are seen as the source of all colour appearances.

Recommended for

- School children
- Young people
- Supervised play areas such as schools, after-school programmes or similar
- Public play areas without supervision, such as playgrounds, parks or similar



Vandalism	slightly vulnerable
Supervision	not necessary
Explanation Board	included
Installation	indoors and outdoors
Safety check (DIN EN 1176)	has been completed
Installation in concrete	possible

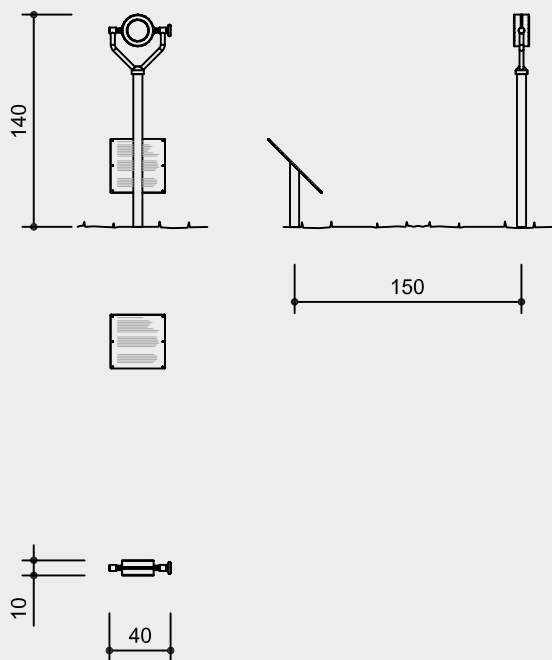
Glass Prism
graubner Play Stations
 for Developing the Senses



10.31100

Order No. 10.31100
Glass Prism

Safety distance 
 Device dimensions 
 Functional distance 



Technical information

Equipment made of stainless steel / aluminium eloxadized

Sintered bush

For all reciprocating movements we use sintered plain bearings which are self-lubricating in use and can easily be exchanged if necessary



Ground anchor

All parts used for anchoring to the ground are made of hot-dip galvanised steel or stainless steel



For more detailed explanation of the quality characteristics see price list.

Solid ground glass prism held between two safety glass screens, rotatable and pivotable in all directions, in stainless steel support

Support for Explanation Board made of stainless steel

Dimensions

(small deviations possible)

Height	1.40 m
Prism	
Edge length	0.10 m
Weight	30 kg
with packaging material	45 kg

Components

- 1 Complete piece of equipment
- 1 Explanation Board with support for dowelling and 4 heavy duty anchors

Trademark

30 2005 500 000 Germany
 40-0682207 South Korea

Installation information

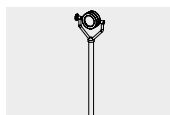
Recommended space
 circle diameter 3.00 m

Foundations
 2 items 40 x 40 x 40 cm
 Excavation depth 60 cm

Attention:

Exact measurements may vary; for all installation dimensions refer to current assembly instructions.

Technical changes reserved.



10.31100